



US009220443B2

(12) **United States Patent**
Silver et al.

(10) **Patent No.:** **US 9,220,443 B2**
(45) **Date of Patent:** **Dec. 29, 2015**

(54) **CPR CHEST COMPRESSION MONITOR FOR INFANTS**

(71) Applicant: **ZOLL Medical Corporation**,
Chelmsford, MA (US)
(72) Inventors: **Annemarie E. Silver**, Chelmsford, MA
(US); **Ulrich R. Herken**, Chelmsford,
MA (US)
(73) Assignee: **ZOLL Medical Corporation**,
Chelmsford, MA (US)
(*) Notice: Subject to any disclaimer, the term of this
patent is extended or adjusted under 35
U.S.C. 154(b) by 108 days.

(21) Appl. No.: **14/068,649**

(22) Filed: **Oct. 31, 2013**

(65) **Prior Publication Data**
US 2015/0120201 A1 Apr. 30, 2015

(51) **Int. Cl.**
A61B 5/11 (2006.01)
A61H 31/00 (2006.01)
G01P 15/02 (2013.01)
G01P 3/42 (2006.01)
A61B 5/113 (2006.01)

(52) **U.S. Cl.**
CPC **A61B 5/1107** (2013.01); **A61H 31/00**
(2013.01); **G01P 3/42** (2013.01); **G01P 15/02**
(2013.01); **A61B 5/1135** (2013.01)

(58) **Field of Classification Search**
CPC . A61H 31/005; A61H 31/006; A61H 31/007;
A61B 5/0205; A61B 5/02055
USPC 600/587, 595
See application file for complete search history.

(56) **References Cited**

U.S. PATENT DOCUMENTS

443,204 A	12/1890	Davis
651,962 A	6/1900	Boghean
2,071,215 A	2/1937	Petersen
2,486,667 A	11/1949	Meister
RE26,511 E	12/1968	Hewson
3,568,078 A	3/1971	Pelchat
4,424,806 A	1/1984	Newman et al.
4,554,910 A	11/1985	Lally
4,676,232 A	6/1987	Olsson et al.
4,770,164 A	9/1988	Lach et al.
4,860,759 A	8/1989	Kahn et al.
4,928,674 A	5/1990	Halperin et al.
4,932,879 A	6/1990	Ingenito et al.
4,987,783 A	1/1991	D'Antonio et al.
4,989,611 A	2/1991	Zanetti et al.
5,453,081 A	9/1995	Hansen
5,490,820 A	2/1996	Schock et al.
5,496,257 A	3/1996	Kelly
5,704,365 A	1/1998	Albrecht et al.
5,738,637 A	4/1998	Kelly et al.
5,743,864 A	4/1998	Baldwin, II
5,794,623 A	8/1998	Forbes
5,831,164 A	11/1998	Reddi et al.

(Continued)

OTHER PUBLICATIONS

Strohmenger, et al., Spectral Analysis of Ventricular Fibrillation and
Closes-Chest Cardiopulmonary Resuscitation, 33 Resuscitation 155
(1996).

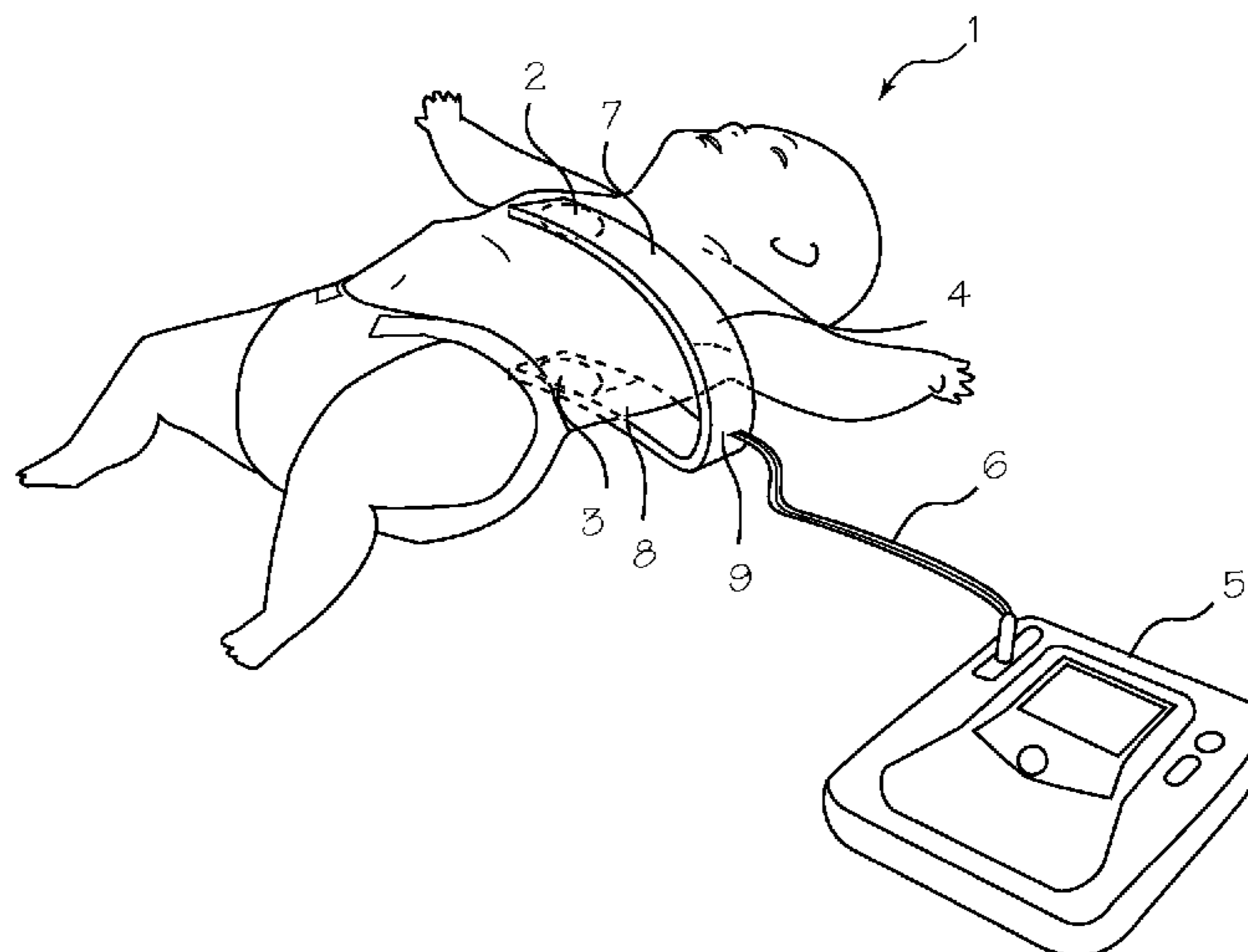
(Continued)

Primary Examiner — Adam J Eiseman
(74) *Attorney, Agent, or Firm* — K. David Crockett, Esq.;
Paul J. Backofen, Esq.; Crockett & Crockett, PC

(57) **ABSTRACT**

Methods and devices for chest compression depth measure-
ment for CPR performed on infants.

18 Claims, 5 Drawing Sheets



(56)

References Cited

U.S. PATENT DOCUMENTS

5,844,482 A 12/1998 Guthrie et al.
 5,876,350 A 3/1999 Lo et al.
 5,957,856 A 9/1999 Weil et al.
 5,978,693 A 11/1999 Hamilton et al.
 6,013,041 A 1/2000 Leathers
 6,027,452 A 2/2000 Flaherty et al.
 6,090,056 A * 7/2000 Bystrom et al. 601/41
 6,174,295 B1 1/2001 Cantrell et al.
 6,179,793 B1 1/2001 Rothman et al.
 6,301,964 B1 10/2001 Fyfe et al.
 6,865,413 B2 3/2005 Halperin et al.
 7,074,199 B2 7/2006 Halperin et al.
 7,108,665 B2 9/2006 Halperin et al.
 7,122,014 B2 10/2006 Palazzolo et al.
 7,220,235 B2 5/2007 Geheb et al.
 7,295,871 B2 11/2007 Halperin et al.
 7,297,125 B2 * 11/2007 Palmer et al. 601/41
 7,429,250 B2 9/2008 Halperin et al.
 7,775,996 B2 * 8/2010 Strømsnes 601/41

8,002,720 B2 * 8/2011 Hansen et al. 601/41
 8,535,251 B1 * 9/2013 Rao 601/41
 2007/0135739 A1 6/2007 Halperin et al.
 2008/0097261 A1 * 4/2008 Hansen et al. 601/107
 2008/0097534 A1 * 4/2008 Myklebust et al. 607/5
 2010/0198118 A1 * 8/2010 Itnati 601/41
 2012/0083720 A1 4/2012 Centen et al.
 2012/0184882 A1 7/2012 Totman et al.
 2012/0191014 A1 7/2012 Fossan
 2014/0171840 A1 * 6/2014 Aelen et al. 601/41

OTHER PUBLICATIONS

Pinchak, et al., Chest Wall Acceleration and Force Measurements in Simulated Manual and Mechanical Cardiopulmonary Resuscitation, 16 Critical Care Medicine 151 (1988).
 Pinchak, et al., Accelerometer Measurements in CPR, 37th ACEMB 32 (1984).
 International Search Report and Written Opinion dated Jan. 29, 2015 from PCT Application US2014/063338.

* cited by examiner

Fig. 1

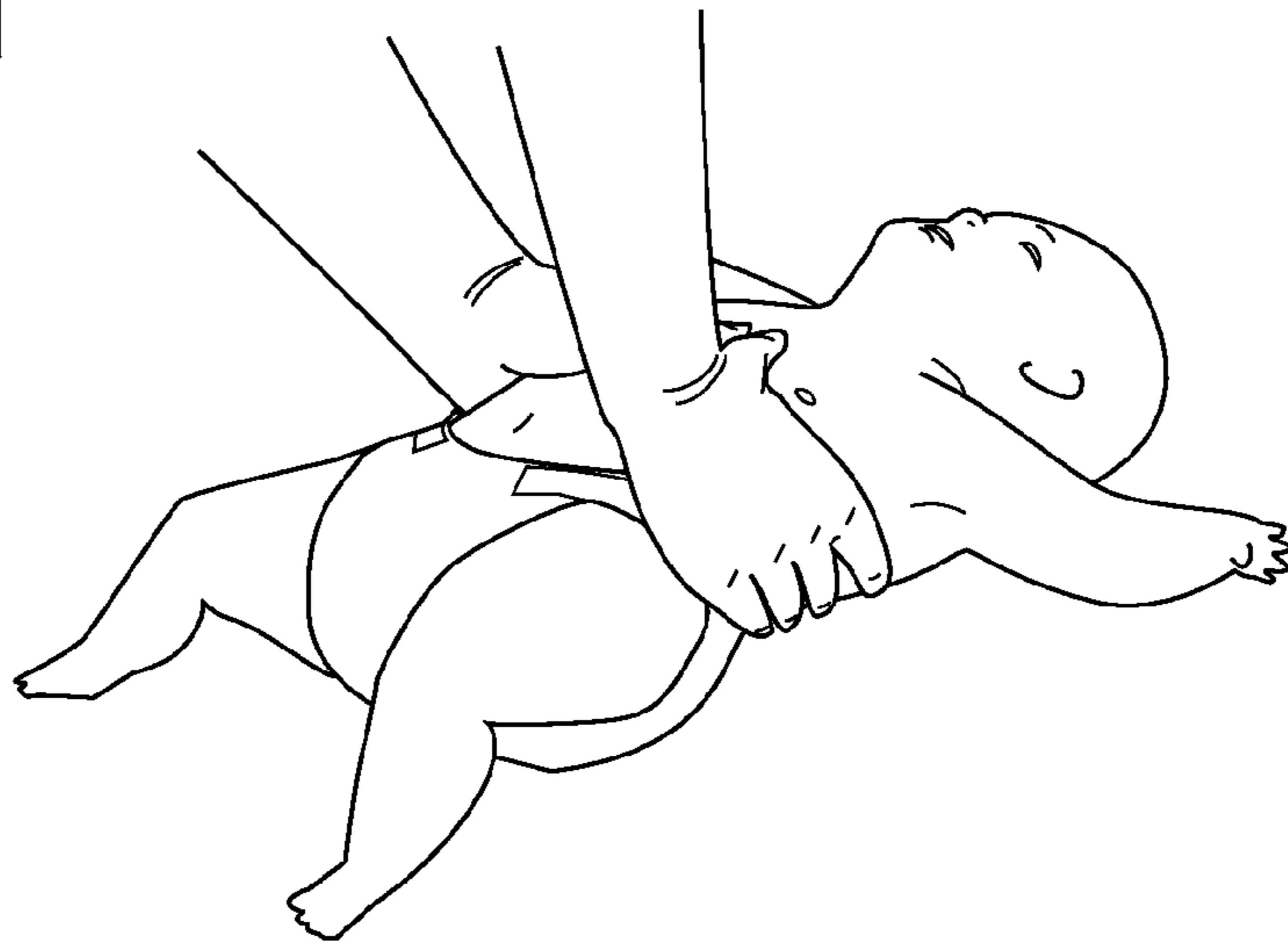


Fig. 2

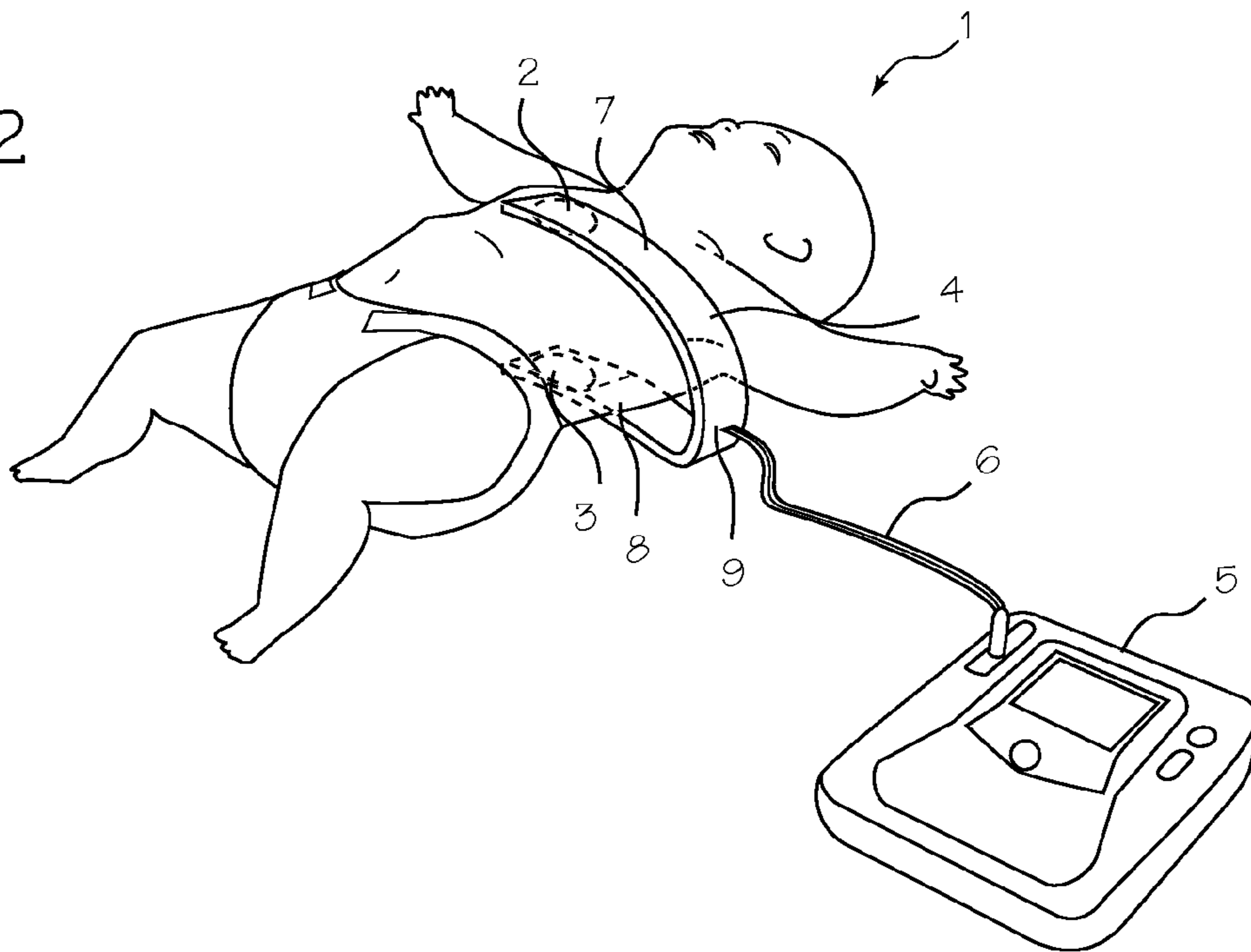


Fig. 3

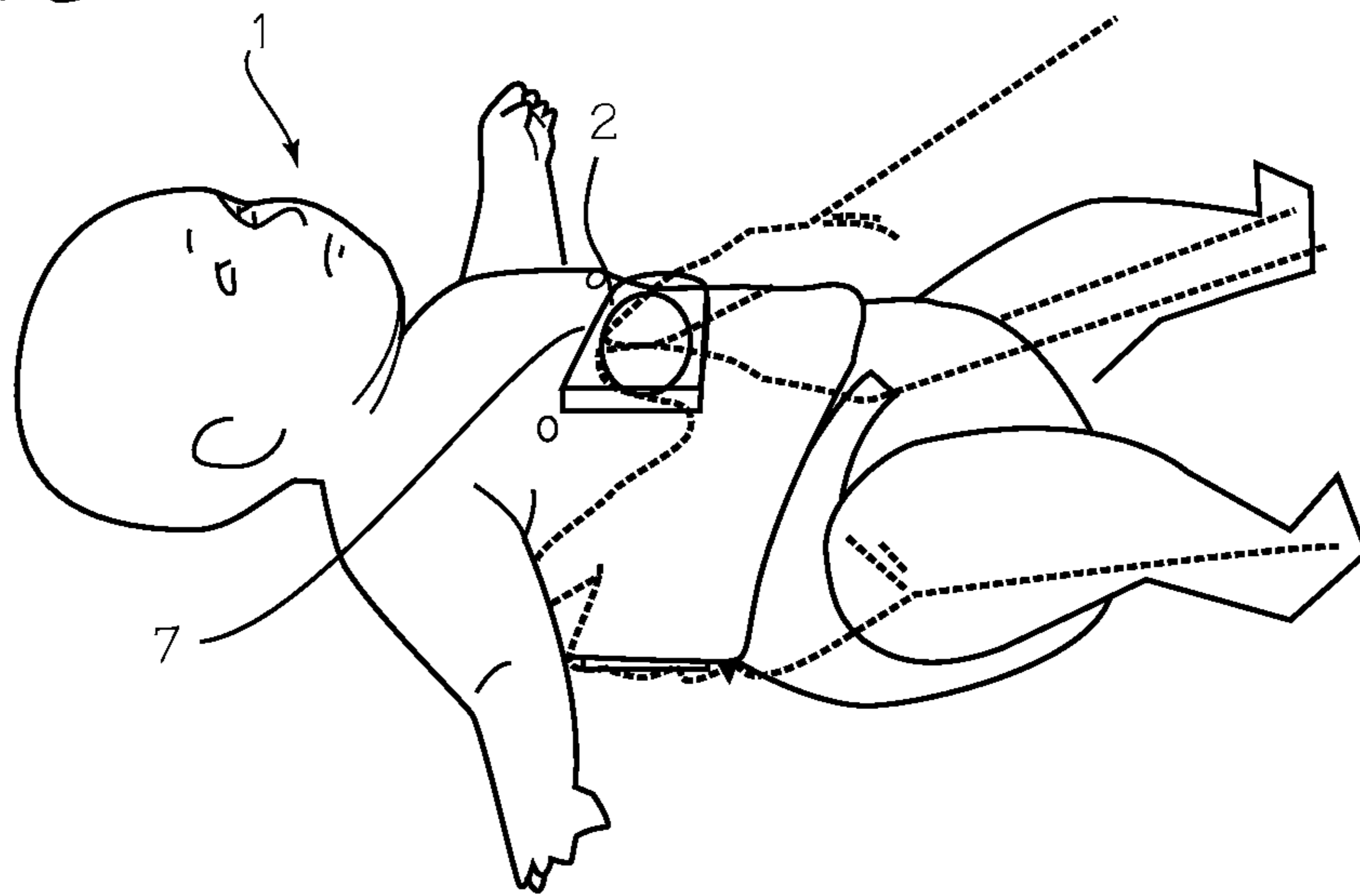


Fig. 4

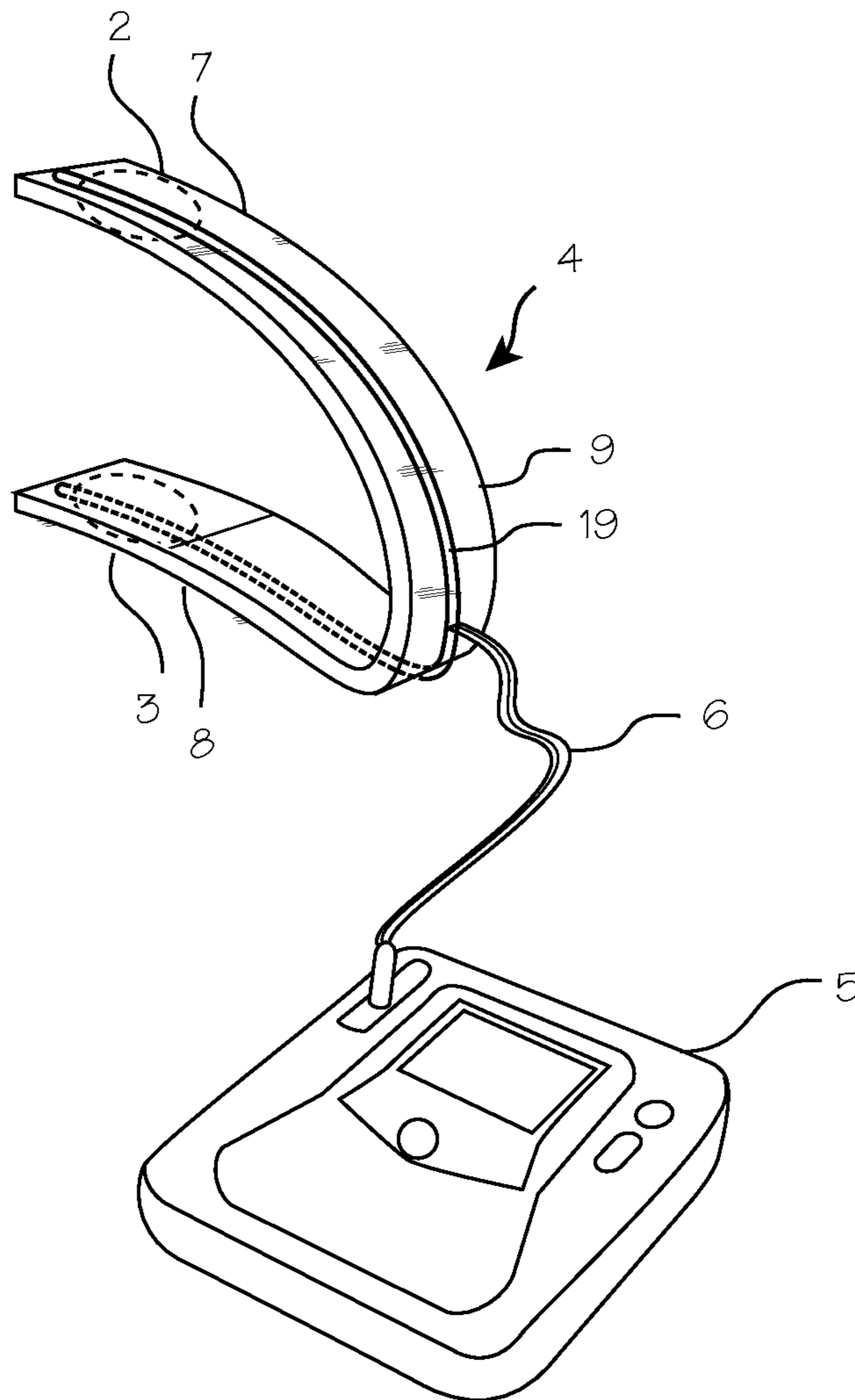


Fig. 5A

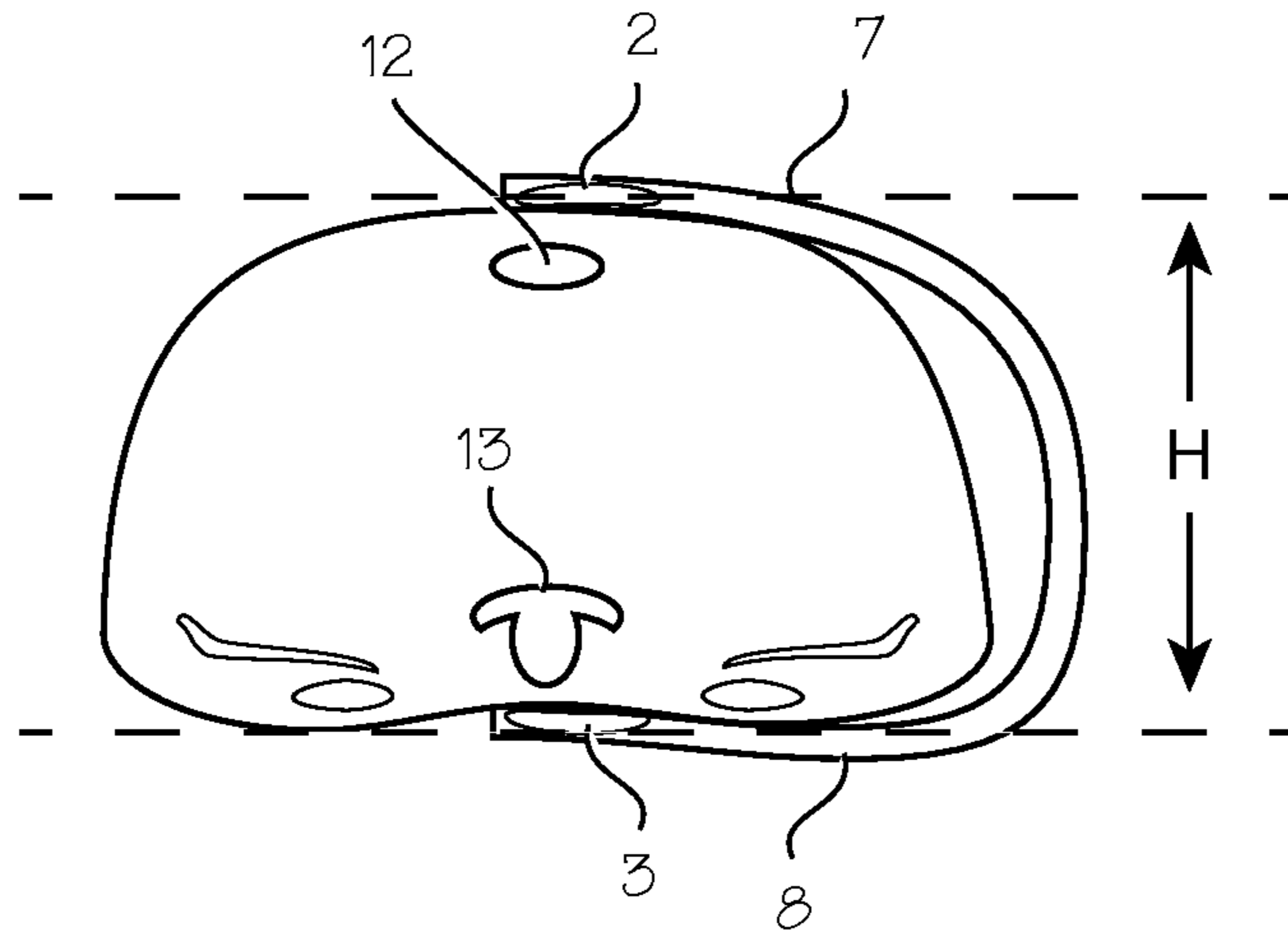


Fig. 5B

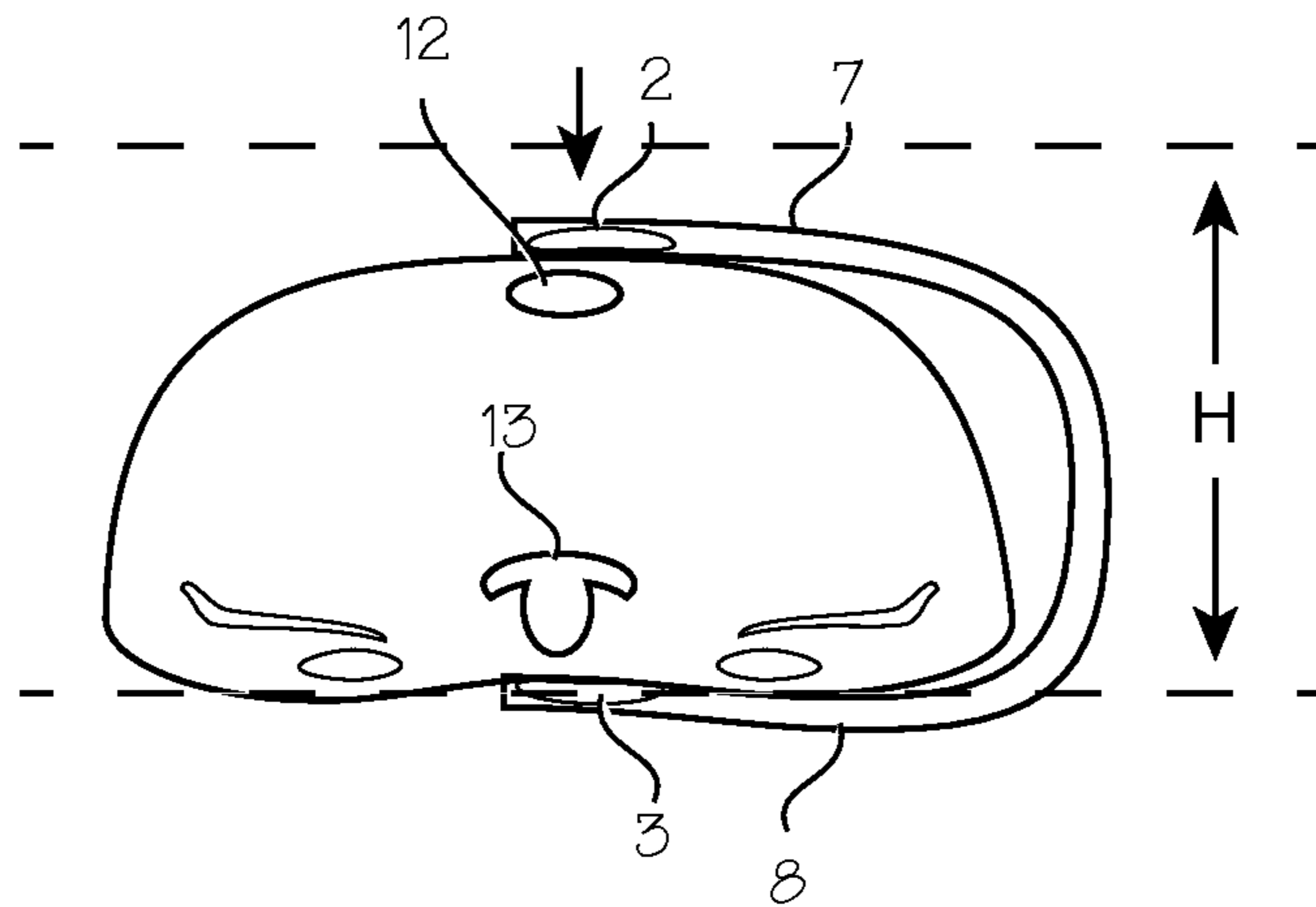
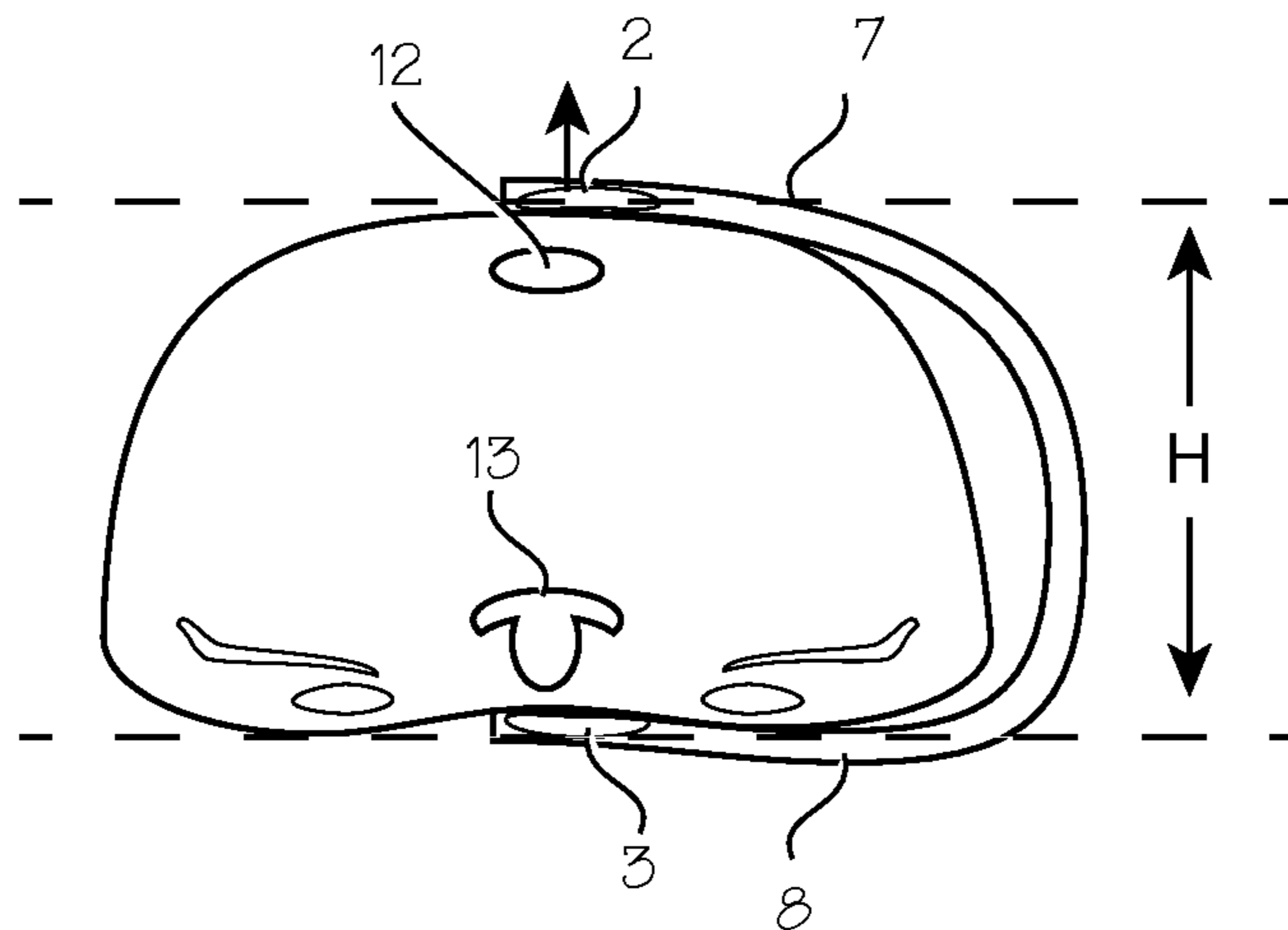


Fig. 5C



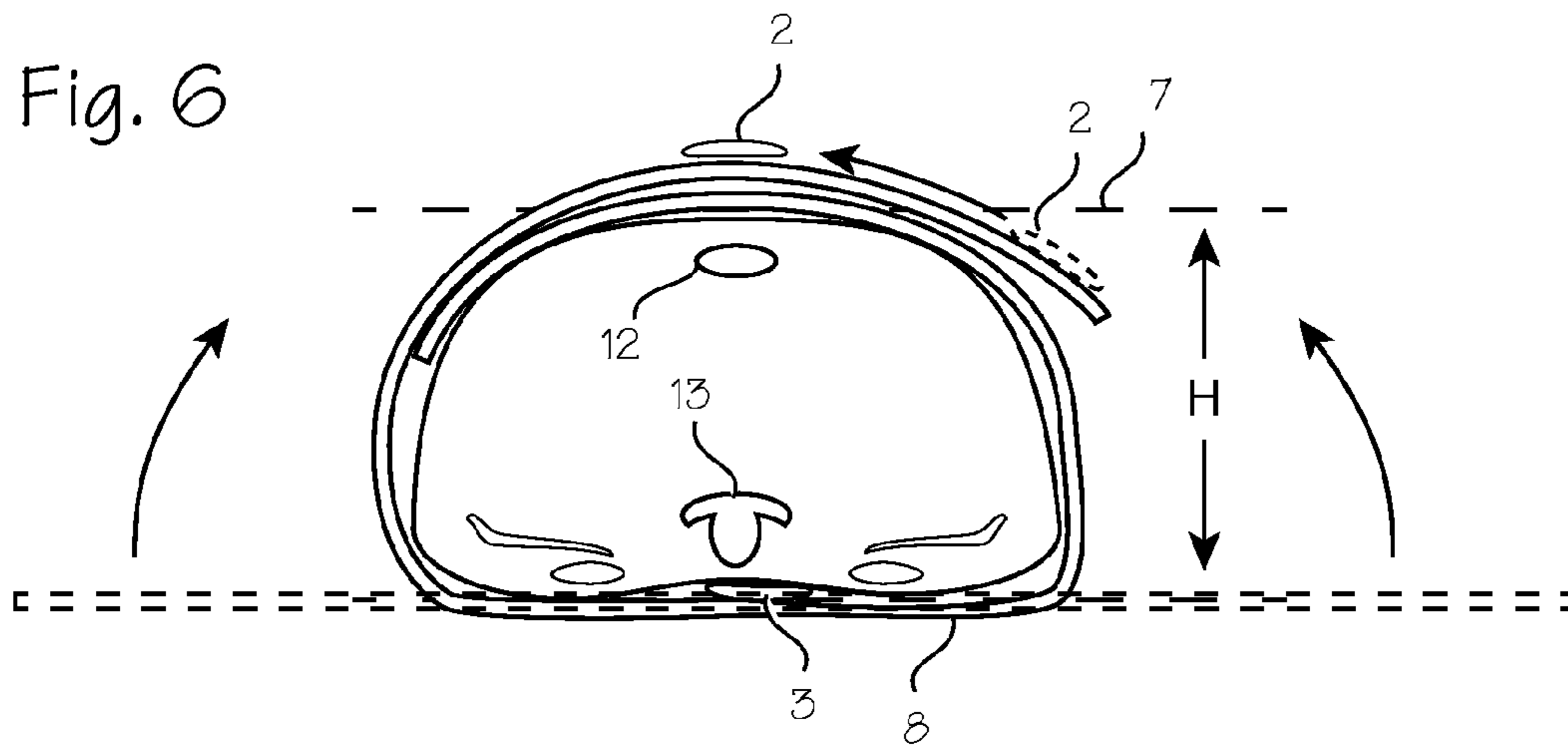


Fig. 7

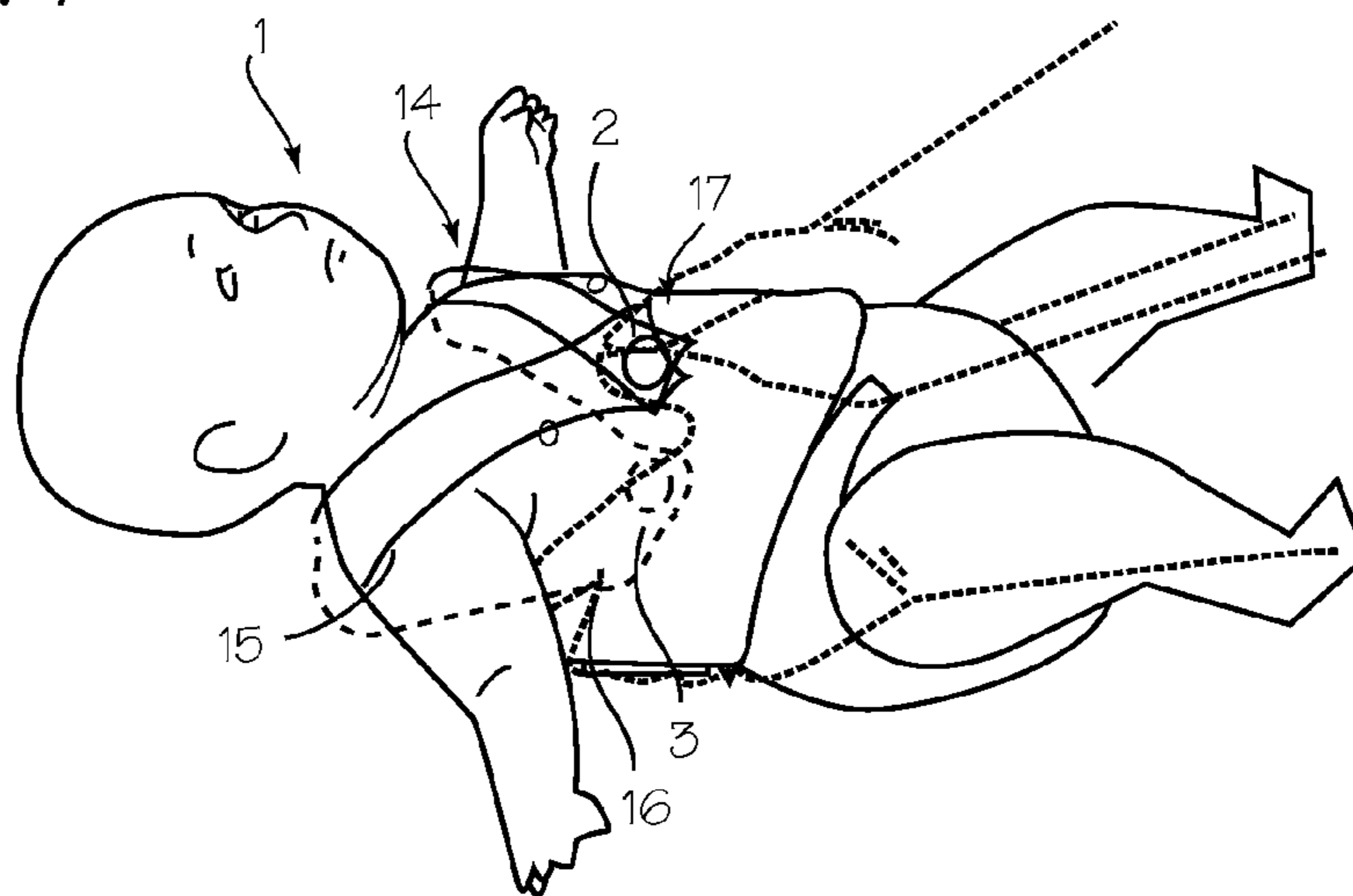


Fig. 8

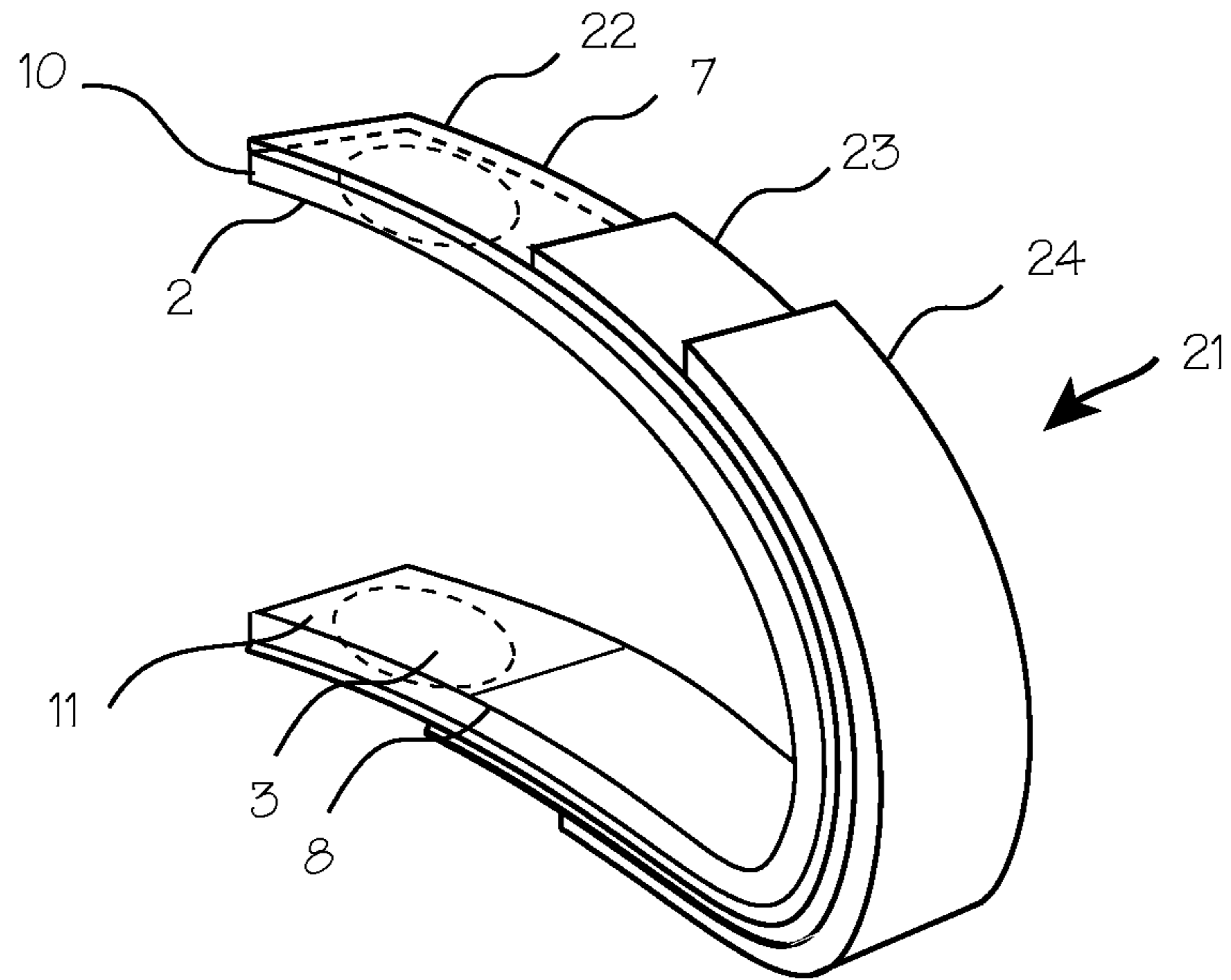
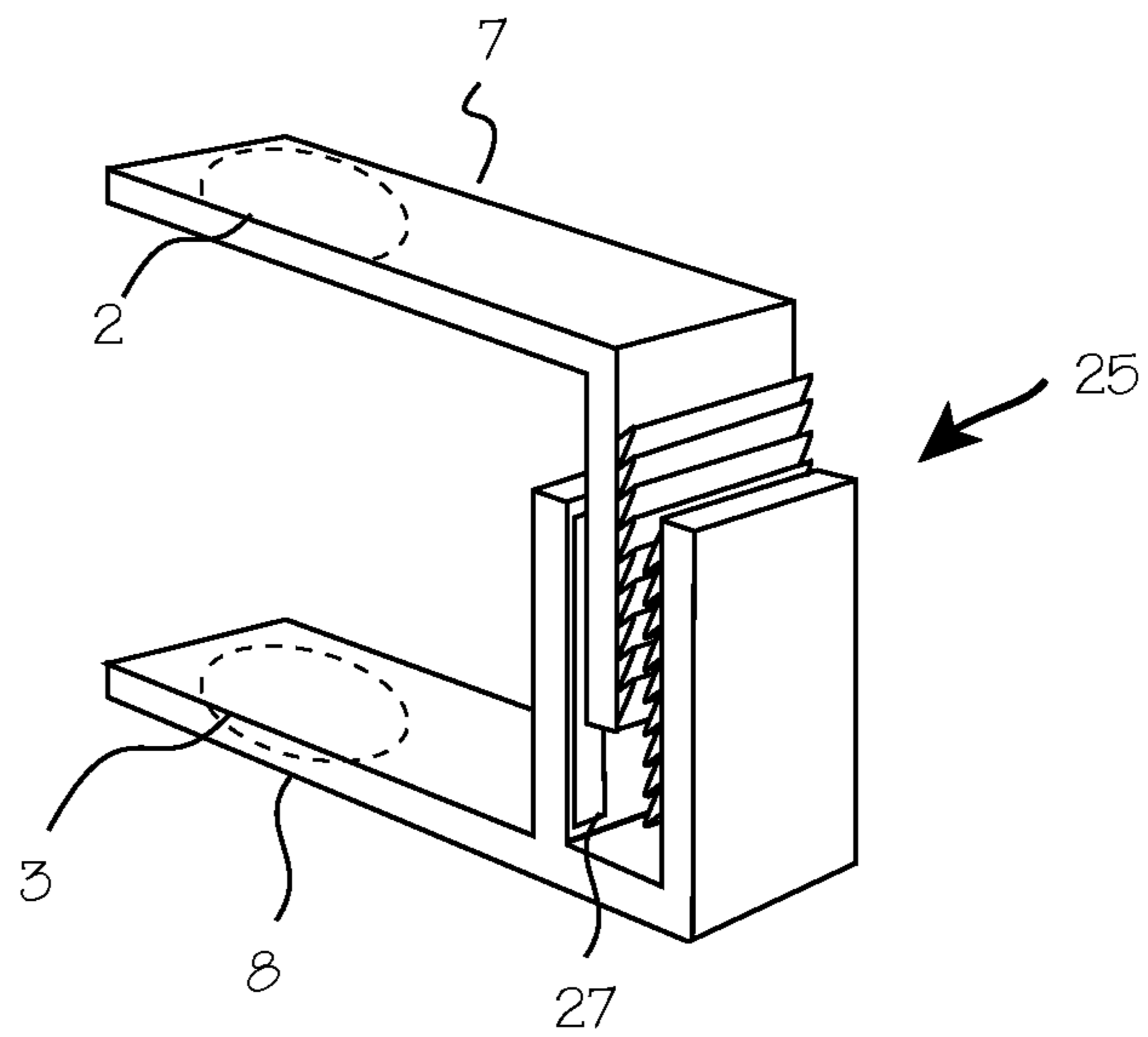


Fig. 9



1

CPR CHEST COMPRESSION MONITOR FOR INFANTS

FIELD OF THE INVENTIONS

The inventions described below relate the field of CPR.

BACKGROUND OF THE INVENTIONS

Chest compressions provided as a component of cardiopulmonary resuscitation (CPR) should be accomplished at a consistent depth of about 2 inches, according to the CPR Guidelines 2010. This is difficult to accomplish, especially over a long course of CPR. Chest compression monitors, such as those used in ZOLL Medical Corporation's CPR D Padz® and Real CPR chest compression monitor, give real time feedback to a CPR provider, measuring the depth and rate of compressions achieved during CPR and providing immediate reports of achieved chest compression depth to the CPR provider. This helps the CPR provider achieve the desired compression depth and also helps the CPR provider realize when he is too fatigued to provide proper chest compressions. In use, the chest compression monitor is sandwiched between the chest of a cardiac arrest victim and the hands of a CPR provider during compressions. These chest compression monitors are free-floating, and can accurately measure chest compression depth without reference to any external reference or input. This is described in Halperin, et al., CPR Chest Compression Monitor, U.S. Pat. No. 6,390,996 (May 21, 2002), as well as Palazzolo, et al., Method of Determining Depth of Chest Compressions During CPR, U.S. Pat. No. 7,122,014 (Oct. 17, 2006). Nonetheless, these chest compression monitors can be augmented with reference sensors, to ensure or improve accuracy when chest compressions are performed on a patient that is coincidentally subject to gross vertical movements. For example, Palazzolo, et al., Method Of Determining Depth Of Chest Compressions During CPR, U.S. Pat. No. 7,122,014 (Oct. 17, 2006) disclosed a system including a chest compression monitor disposed on the chest of a cardiac arrest victim and a reference sensor disposed elsewhere on the body of the cardiac arrest victim or a gurney supporting the cardiac arrest victim.

For adults, CPR chest compressions are delivered while the patient is supine, supported by a sufficiently rigid surface (a floor, gurney, or hospital bed). For infants, CPR chest compressions are provided with one of two methods. The preferred method is the two-thumb method, and entails grasping the infant's thorax with both hands, placing both thumbs over the sternum (with the fingers supporting the back of the infant) and compressing the sternum with the thumbs. Another method, suggested for use by a lone rescuer, is referred to as the two-finger method, and entails compression of the infant's chest with two fingers placed over the intermammary line (superior to the xiphoid process). Compressions should be about 1.5 inches (3.8 cm) (one third of the thickness of the thorax of 4.5 inches (11.4 cm), which is rough estimate of infant chest thickness which is of course variable depending on the age of the infant patient). The chest should be released completely after each compression. According to the American Heart Association, the 2-thumb-encircling hands technique is preferred over the 2-finger technique because it produces higher coronary artery perfusion pressure, results more consistently in appropriate depth or force of compressions, and may generate higher systolic and diastolic pressures.

In another aspect of CPR, active compression-decompression CPR has been suggested as an adjunct to CPR. Active

2

compression-decompression refers to compression techniques which include some mechanism for actively lifting the chest wall between compression down strokes, rather than merely relying on the natural resilience of the chest wall to expand the chest between compressions. Active decompression devices, such as proposed by Steen, Systems and Procedures for Treating Cardiac Arrest, U.S. Pat. No. 7,226,427 (Jun. 5, 2007), use a piston to compress the chest. The piston is driven up and down by a motor. A suction cup on the lower face of the piston is intended to pull the chest wall up with the piston. Active decompression is not yet recommended for pediatric use.

SUMMARY

The devices and methods described below provide for chest compression monitoring during CPR provided to infant cardiac arrest victims, especially where compressions are provided with the two-thumb method. The device includes a chest compression monitor and a reference sensor mounted on the tips of an easily deformable open frame which fits around the infant's thorax. The open frame is placed around the infant's thorax, with one sensor disposed on the compression point and one sensor disposed on the infant's back, and the CPR provider performs the two-thumb compression technique with one sensor trapped between his thumbs and the infant's chest, and the other sensor trapped between the rescuer's fingers and the infant's back. The device used to measure chest compression depth can be augmented to provide active decompression for infant cardiac arrest victims. The frame which holds the device may be resilient, such that it forcefully returns to an open position, and the tips of the frame may be adhesive, such that they adhere to the infant's chest and back, such that upon each release by the CPR provider, the frame exerts a gently expansive force on the infant's thorax.

BRIEF DESCRIPTION OF THE DRAWINGS

FIG. 1 illustrates the two-thumb technique for accomplishing CPR compressions on an infant.

FIG. 2 illustrates placement of the new chest compression depth monitoring system on an infant cardiac arrest victim.

FIG. 3 illustrates the two-thumb technique for accomplishing CPR compressions on an infant while the system of FIG. 2 is installed on the infant.

FIG. 4 illustrates the frame in isolation.

FIGS. 5A, B and C illustrate the compression frame during compressions of the infant's thorax.

FIG. 6 illustrates a wrap-around frame which can be fitted on an infant cardiac arrest victim.

FIG. 7 illustrates a variation of the frame, applied to infant cardiac arrest victim over the shoulders of the infant.

FIG. 8 illustrates a frame for use in the system which can be easily modified to adjust the resilience of the frame.

FIG. 9 illustrates a frame for use in the system, which can be adjusted to fit infants of various sizes.

DETAILED DESCRIPTION OF THE INVENTIONS

FIG. 1 illustrates the two-thumb technique for accomplishing CPR compressions on an infant. The infant is shown supine, supported on a surface. A CPR provider has placed his hands around the infant's thorax, placing his thumbs over the infant's sternum with his fingers wrapping over the axillary area under the infant's arms and around the infant's back. In this method, the CPR provider squeezes the infant's thorax,

3

with the thumbs pressing on the sternum, to push the sternum toward the spine. These compression should be accomplished at a rate of 100 compressions per minute and a depth of 1.5 inches (3.8 cm)(or about one-third of the total thickness of the thorax).

FIG. 2 illustrates placement of the new chest compression depth monitoring system on an infant cardiac arrest victim 1. The system includes a first sensor 2 located over the sternum and a second sensor 3 located on the back. These two sensors are mounted on a frame 4, which, as illustrated, is a U-shaped frame defining an open space which accommodate the infant. The sensors are mounted on the frame such that, with the frame disposed about the infant's thorax, the sensors may be properly located over the sternum and opposite the sternum on the infant's back. The sensors are operably connected to an automatic external defibrillator (AED) 5 through cable 6. The AED box 5 includes a control system, a display and speaker, and a defibrillator. The display and speaker are operable for providing visual or audio feedback to the CPR provider regarding the depth and rate of the compressions provided by the CPR provider, and comprise means for providing feedback to the CPR provider. The AED also includes an input device, such as a keyboard, soft-keys or touchscreen (which may also be used as the display). The control system (a computer) is programmed to interpret the acceleration signals to calculate compression depth and/or velocity (specifically, release velocity), and generate visual displays and/or audio prompts to be displayed or played to guide the CPR provider. (The control system also analyzes ECG signals obtained from ECG electrodes, not shown, to determine if defibrillating shock should be applied, and may prompt the user to apply shock or automatically operate the defibrillator to apply shock to the infant patient.) The control system can also be provided in a stand-alone device, without the defibrillator function. The control system comprises at least one processor and at least one memory including program code with the memory and computer program code configured with the processor to cause the system to perform the functions described throughout this specification.

FIG. 3 illustrates the two-thumb technique for accomplishing CPR compressions on an infant while the system of FIG. 2 is installed on the infant. As in FIG. 2, the frame 4 is disposed about the thorax of the infant, with the first sensor 2 disposed over the sternum of the infant and the second sensor 3 (see FIG. 2) disposed on or under the back of the infant. The rescuer is shown with his/her thumbs over the first sensor, trapping the first sensor between the rescuer's thumbs and the infant's sternum, and the fingers of both hands wrapped around the infant's thorax, preferably trapping the second sensor between the fingers of the rescuer and the back of the infant.

FIG. 4 illustrates the frame in isolation. The frame may take on many forms, and is illustrated as a U-shaped frame 4, comprising two laterally extending elements 7 and 8 joined by an arcuate segment 9. The sensors 2 and 3 are mounted near the tips 10 and 11 of extending elements, so that they can easily be located with the first sensor 2 disposed over the sternum of the infant and the second sensor 3 disposed on or under the back of the infant. The frame construction assures proper placement of the sensors on the anterior and posterior surface of the infant, so that motion signals from each sensor can be used to measure the chest wall motion induced by the CPR compressions accomplished by the CPR provider, taking into account any anterior/superior motions of the infant's entire thorax attendant to the two-thumbs technique. The frame is preferably resilient and biased to an open configuration (as large or larger than the thickness of the infant's

4

thorax), such that after each compression, it resiliently returns to an open position, but may instead be merely flexible such that upon release of the chest by the CPR provider the frame expands due to the natural resilience of the infant's thorax.

The frame is illustrated as an open U-shaped frame, but may be most any shape useful to properly locate the sensors above and below the infant's thorax and convenient to dispose about the infant's thorax. So, for example, the frame may be an oval which completely encircles the thorax. The frame may be provided in various sizes, with each size chosen to suit a range of infants and small children of various sizes, or it may be provided in single size suitable for a wide range of patient sizes.

If the system is intended to impart some expansive force on the chest between compression down strokes, during the release phase or upstroke of a compression, the inner surfaces of the extending segments of a resilient frame, which inner surfaces may include the inner surfaces of the sensor assemblies (or housings, if they are discrete from the extending segments), may be covered or coated with an adhesive layer suitable for adhering the extending segments to the thorax of the infants. The adhesive may be limited to the tips of the extending segments, such that only the tips of the extending segments adhere to the chest wall. With this construction, with each release of compression force, the resilient expansion of the frame will exert expansive force on the chest wall, and provide a degree of active decompression between each compression.

FIGS. 5A, B and C are cross sections of the frame, illustrating the action of the frame on the thorax of the infant. As shown in FIG. 5A, the frame is slipped over the infant's chest, such that the anterior sensor 2 is disposed directly over the sternum 12, and the posterior sensor 3 is located under the spine 13. The CPR provider squeezes the infant's chest, using the two-thumbs technique, to achieve the compressed state illustrated in FIG. 5B. FIG. 5B represents the compression stroke or compression phase of the compression cycle. Upon release, the infant's chest will expand, as shown in FIG. 5C, to its original thickness H. Where the interior surfaces of the extending segments are adhesive, the resilient expansion of the frame leads to an expansive force applied to the chest, which hastens the expansion of the chest during the release phase of the compression cycle.

FIG. 6 illustrates a version of the frame which wraps entirely around the infant cardiac arrest victim. In FIG. 6, the frame 4 may be provided in a length exceeding the circumference of the infant, and sufficient to entirely surround the infant's thorax (practically, the wrap around frame will be provided in a single length long enough to surround infants of various sizes). As with the frames of the earlier figures, the frame of FIG. 6 is resiliently biased to open to a circumference larger than the circumference of the infant. The frame may have an initial configuration which is substantially flat, in which case it is folded up and around the infant's thorax as shown, and adjusted to obtain a close fit with the infant's thorax before compressions are initiated. The frame may instead have an initial configuration which is substantially circular, in which case it is spread open to accommodate the infant's thorax and adjusted to obtain a close fit with the infant's thorax before compressions are initiated. The anterior sensor 2 may be releasably fixed to the frame, with hook and loop fastener or other fastener, so that it can be relocated to the infant's sternum when the frame is adjusted to fit about the infant.

FIG. 7 illustrates a variation of the frame, applied to infant cardiac arrest victim over the shoulders of the infant. The frame of FIGS. 2 through 4 can of course be fitted over one

5

shoulder of the infant, at the option of the CPR provider. The frame **14** of FIG. **7** comprises a front portion **15** and back portion **16**, with an opening between the two to accommodate the infant's head. From the side or lateral aspect, the frame is U-shaped. As with the frame of FIGS. **2** through **4**, this frame may be resilient and biased to an open position, with the distance between the sensors in the open, relaxed configuration being slightly greater than the anterior-posterior thickness of the infant's thorax. The sensors **2** and **3** are mounted on the frame, with the anterior sensor **2** mounted on the front portion and the posterior sensor **3** mounted on the back portion. As illustrated, viewed from the front or anterior aspect, the front portion is V-shaped, with the vertex **17** of the V, where the anterior sensor **2** is located, disposed over the sternum of the infant. The posterior sensor **3** located directly below the anterior sensor, on the back portion and located at the back of the infant. The vertex of the V serves as an easily recognizable landmark for the user when applying the frame to the infant, but the frame may be made in other configurations that permit the frame to be slipped over the infant's head (for example, a bib or pinafore), and provide for locating the anterior sensor over the infant's sternum.

The frame can be provided in a single size chosen to fit most infants subject to the two-thumb technique, and configured with a resilience and expansive force suitable for applying active compression/decompression for most infants, or the frame can be provided in a variety of sizes, leaving to a CPR provider to select an appropriate size and/or resilience at the point of use, or adjust size and/or resilience of the frame at the point of use when the size of the actual patient is known. Should it be desirable to adjust these properties, the frame can be modified as illustrated in FIGS. **8** and **9**. FIG. **8** illustrates a frame for use in the system which can be easily modified to adjust the resilience of the frame. The frame **21** holds the anterior and posterior sensors **2** and **3** at the tips of anterior and posterior extending elements **7** and **8**. The frame **21** is resilient, and manufactured to exert a first level of expansive force when released from compression. The frame comprises one or more additional layers **22**, **23** and **24**, which are also resilient. The additional layers are secured to the underlying layers with adhesive or a mechanical interlock, such that they are releasably secured to underlying layers and may be removed easily by the CPR provider. To adjust the resilience of the frame, one or more releasable layers may be removed, thus weakening the frame and reducing its resilience.

FIG. **9** illustrates a frame for use in the system, which can be adjusted to fit infants of various sizes. The laterally extending segments **7** and **8** are connected to each other through an expandable ratcheting mechanism **25**. The ratcheting assembly may be used to expand or collapse the laterally extending segments **7** and **8** to size the device to a particular infant cardiac arrest victim. As with the U-shaped frames illustrated above, the sensors **2** and **3** are disposed within or on the tips of the extending segments.

The sensors may include any sensor technology suitable for determining compression depth. Accelerometers may be used, as described in Halperin, U.S. Pat. No. 6,390,996 and Palazzolo, U.S. Pat. No. 7,122,014. In this case, the anterior sensor may be an accelerometer-based chest compression monitor as described in Halperin and Palazzolo, and the posterior sensor can be a reference accelerometer or another accelerometer-based chest compression monitor. The accelerometers are capable of producing acceleration signals corresponding to the acceleration of the chest and the acceleration of the back, and the control system is operable to integrate the acceleration signal received from the accelerometers, integrating and combining those signals to determine

6

the depth of chest compression and produce a measured depth signal. The control system is also programmed to report the measured depth to the CPR provider through the display or audio output, or compare the measured depth signal to a desired depth of compression and report to the CPR provider whether the achieved depth of compression meets or fails to meet the desired depth. Velocity sensors may also be used, in which case the control system is programmed to process the velocity signal received from the velocity signals to achieve the same ends. Also, the control system may be programmed to process the acceleration signals to determine the compression velocity, release velocity, and compression rate to produce corresponding signals, and provide reports and feedback to the CPR provider regarding these parameters.

Magnetic motion sensors, such as those which use an electromagnetic source and sensor, described in Geheb, et al., Method and Apparatus for Enhancement of Compressions During CPR, U.S. Pat. No. 7,220,235 (May 22, 2007) and Centen, et al., Reference Sensor For CPR Feedback Device, U.S. Pub. 2012/0083720 (Apr. 5, 2012), may also be used to determine compression depth. In this case, the one sensor is a magnetic field sensor, and the other sensor is replaced by a magnetic field generator (a permanent magnet or an electromagnet), and the control system is operable to receive and process distance information from the electromagnetic sensor to determine compression depth, release velocity, and compression rate. These and any other means for determining compression depth, compression rate, and release velocity may be used.

The control system is programmed to receive signals corresponding to motion of the chest wall and motion of the thorax (motion of the back, as sensed by the sensor **3**, and determine the depth of compression achieved during CPR based on those signals. (In the magnetic sensing embodiment, the control system is programmed to determine the depth of compression achieved during CPR based signals from the magnetic field sensor.) The control system is programmed to generate a signal corresponding to the determined chest compression depth which may be used to provide a display indicating achieved chest compression, or may be used by other equipment. The control system is further programmed to compare the determined depth of compression with predetermined desired chest compression goals, and provide feedback to a CPR provider regarding the adequacy of chest compression depth, including whether achieved chest compression depth is inadequate, adequate, or excessive as compared to the predetermined goals. The feedback can include audio or visual prompts to compress more deeply, prompts to compress at a faster or slower rate, and prompts to quickly and completely release the chest of the patient after each compression. The feedback can also include haptic feedback, provided when compression depth is adequate, inadequate, or excessive, through vibrators disposed on the frame.

The system can be adapted to determine an initial measurement of the patient's chest. The sensors mentioned above may be used, or additional sensors may be added to the frame, to measure the patient's chest prior to the start of chest compressions. This information can be used to advise a CPR provider to limit expansive motion of the frame during release (to limit the active decompression)(limiting the expansive motion of the frame during release can be accomplished merely by holding the frame between compressions, and not allowing it to fully expand), and to advise the CPR provider regarding the adequacy of chest compressions based on the size of the patient. The distance between the sensors **2** and **3** can be determined, using signals from the sensors, where applicable. For example, where the sensors are a magnetic

field sensor and a magnetic field generator, the position of the magnetic sensor in the magnetic field generated by the magnetic field generator can be determined.

Additional sensors may be used to size the patient. Distance sensors and proximity sensors at the tips of the frame, near sensor 2, for example, can determine the distance from the frame tip to the patient, and thereby calculate the size of the patient. This system may require operator input, to inform the system when the frame is disposed about the patient such that the bottom frame tip and sensor 3 are in place below the patient, so that the control system can then calculate the patient's chest height based on the known distance between the frame tips and the measured distance between the upper frame tip and the chest wall of the patient. In another system, strain sensors disposed on or within the frame can be used to determine the shape of the frame, and thus the distance between the frame tips. For example, a shape monitoring cable (item 19 in FIG. 4 comprising linear arrays of fiber Bragg gratings) may be disposed on or within the frame, and a control system may operate a light source and light sensors to determine the shape of the frame. This system may require operator input, to inform the system when the frame is disposed about the patient such that the bottom frame tips and sensor 2 and sensor 3 are in in contact with the patient, so that the control system can then calculate the patient's chest height based shape of the frame as determined by the shape monitoring cable. Shape monitoring cables suitable for use in this embodiment may also include piezo-electric strain gauges and other forms of strain gauges.

For the frame of FIG. 9, an optical, magnetic or capacitive encoder or other position sensor 27 can be used to determine the position of ratcheting segments relative to each other, and from this information the control system can determine the distance between the tips and the chest height of the patient. Again, with operator input informing the system when the frame is disposed about the patient such that the bottom frame tips and sensor 2 and sensor 3 are in in contact with the patient, the control system can then calculate the patient's chest height based on the encoder reading. Thus, for the initial determination of the size of the patient, sensors mounted on the frame tips, encoders disposed on an adjustable portion of the frame, a shape monitoring cable disposed on the frame, and any other suitable means of determining the distance between the frame tips can be used, in conjunction with input from the CPR provider indicating that the frame tips are in close proximity to the patient's thorax.

In each case, the initial measurement of the size of the patient's thorax can be use by the control system to select advisory parameters, such as the amount of compression desired, and the amount of active decompression desired, for the patient based on patient size, and generate advisory prompts to the CPR provider based on patient size. The compression depth targets for infants should be about $\frac{1}{3}$ of the infant's chest height, and the appropriate chest compression goals can be selected by the control system programmed to calculate the chest compression goals based on the measured size of the patient. Thus, for CPR compressions performed on small children, the control system would be programmed to provide a positive advisory (that compression are adequate) or a negative advisory (that compression are excessive, or active decompression too expansive) for small compressions and active decompressions, and also programmed to provide a positive advisory (that compression are adequate) or a negative advisory (that compression are excessive, or active decompression too expansive) for slightly larger compressions and active decompressions for CPR performed on a larger child.

In use, a CPR provider will place the frame around the thorax of an infant cardiac arrest victim, with one sensor on the victim's chest, over the victim's sternum, and the second sensor under the infant's spine. The CPR provider will then grasp the infant's thorax with both hands, placing his thumbs over the infant's sternum and extending his fingers around the thorax, in the two-thumbs position. The CPR provider will perform CPR compressions, using the two-thumbs technique, pressing down on the chest, keeping the anterior sensor between his thumbs and the victim's chest, so that the sensor moves up and down in fixed relation with the patient's chest, and keeping the posterior sensor between his fingers and the victim's spine, or at least keeping the posterior extending element between his fingers and the patient's back so that the posterior sensor moves up and down in fixed relation with the patient's back. The CPR provider will operate an associated control system, and energize the sensors, to analyze the sensor signals to determine chest compression depth, velocity of the compression monitor (including release velocity), and the rate of compression, compare the determined chest compression depth, release velocity and/or compression rate to the desired values, and operate an output device to provide prompts indicating whether the determined chest compression depth, release velocity and/or compression rate meets or fails to meet the desired values. The control system may also be operated to compare the measured depth of compression to a desired depth of compression and report to the CPR provider whether the achieved depth of compression meets or fails to meet the desired depth. Prior to the start of compressions, the CPR provider may optionally bring the anterior frame and posterior frame into contact with the body, and provide input to the control system that the anterior frame and posterior frame are in contact with the body.

The frame may be used to perform CPR compressions, including active compression/decompression, with or without the compression depth monitoring components of the system. The frame, with an adhesive surface on at least a portion of the interior surface of the anterior segment, can be installed about the thorax of a patient such that the adhesive secures the anterior segment to the patient's chest wall, over the sternum (that is, the preferred compression point). With the frame installed, CPR compressions are performed. Upon release of each compression, the resilient frame will resiliently expand toward its open configuration, thereby imparting some expansive force on the chest wall. If the patient is prone on a supportive surface, only the anterior segment need be adhesive. If the patient is held up, or prone on a soft surface, the posterior segment interior surface may be adhesive as well. This method may be used on adults and pediatrics as well as infants.

When used to provide CPR compressions with active compression/decompression the method entails providing the frame having an anterior segment and a posterior segment, and sized and dimensioned to fit at least partially around the thorax of the cardiac arrest victim with adhesive on a portion of the anterior segment is adhesive and, optionally, on the posterior segment, and installing the frame about the thorax of a cardiac arrest victim such that the adhesive secures the anterior segment to the cardiac arrest victim's chest wall. After installation, the CPR provider performs CPR chest compressions on the cardiac arrest victim, allowing the frame to expand between compressions to provide active decompression, with the resilience of the frame acting to restore the frame toward its relaxed opened position and thus exert upward pulling force on the thorax.

While the preferred embodiments of the devices and methods have been described in reference to the environment in

which they were developed, they are merely illustrative of the principles of the inventions. Though illustrated for use with infants and the two-thumb compression technique, the devices may be used the two-finger technique, and the devices may sized and dimensioned for adult use, and used in other-wise standard CPR compressions. The elements of the various embodiments may be incorporated into each of the other species to obtain the benefits of those elements in combination with such other species, and the various beneficial features may be employed in embodiments alone or in combination with each other. Other embodiments and configurations may be devised without departing from the spirit of the inventions and the scope of the appended claims.

We claim:

1. A device for measuring depth, velocity or rate of CPR chest compressions performed on the thorax of a cardiac arrest victim, where the thorax is characterized by a chest wall, a back and a thickness, said device comprising:

a frame sized and dimensioned to fit at least partially around the thorax of the cardiac arrest victim, said frame having an anterior segment and a posterior segment, the anterior segment and the posterior segment joined by an arcuate segment to form said frame, wherein said frame is resiliently biased to an open configuration as large or larger than the thickness of the victim's thorax;

an anterior sensor capable of producing a signal corresponding to motion of the chest wall during compressions, said anterior sensor disposed in or on the anterior segment of the frame;

a posterior sensor capable of producing a signal corresponding to motion of the thorax during compressions, said posterior sensor disposed in or on the posterior segment of the frame; and

a control system operable to receive the signal corresponding to motion of the chest wall and the signal corresponding to motion of the thorax and determine the depth, velocity or rate of chest compressions therefrom.

2. The device of claim **1** wherein said frame is U-shaped, and the anterior sensor is disposed proximate the tip of the anterior segment and the posterior sensor is disposed proximate the tip of the posterior segment.

3. The device of claim **1** wherein the anterior sensor comprises an accelerometer-based chest compression monitor and the posterior sensor comprises an accelerometer-based chest compression monitor capable of producing acceleration signals corresponding to the acceleration of the chest and the acceleration of the back; and

the control system is operable to integrate and combine the signals corresponding to the acceleration of the chest and the acceleration of the back to determine the depth of chest compression performed on the victim.

4. The device of claim **2** wherein the anterior sensor comprises an accelerometer-based chest compression monitor and the posterior sensor comprises an accelerometer-based chest compression monitor capable of producing acceleration signals corresponding to the acceleration of the chest and the acceleration of the back; and

the control system is operable to integrate and combine the signals corresponding to the acceleration of the chest and the acceleration of the back to determine the depth of chest compression performed on the victim.

5. The device of claim **1** wherein the anterior sensor comprises a velocity sensor and the posterior sensor comprises a velocity sensor capable of producing velocity signals corresponding to the velocity of the chest and the velocity of the back; and

the control system is operable to integrate and combine the signals corresponding to the velocity of the chest and the velocity of the back to determine the depth of chest compression performed on the victim.

6. The device of claim **1**, further comprising means for providing feedback to a CPR provider, wherein the control system is further operable to report the determined depth of compression through the means for providing feedback to a CPR provider.

7. The device of claim **1**, wherein the control system is further operable to compare the measured depth of compression to a desired depth of compression and report to a CPR provider whether the achieved depth of compression meets or fails to meet the desired depth.

8. The device of claim **7**, further comprising a means of determining the distance between the anterior segment of the frame and the chest wall, wherein the control system is operable to determine the size of the cardiac arrest victim based on the distance between the anterior segment of the frame and the chest wall and provide feedback regarding the performance of chest compressions based on the determined size of the cardiac arrest victim.

9. The device of claim **7**, further comprising a means of determining the distance between the anterior segment of the frame and the posterior segment of the frame upon input from a CPR provider that the anterior segment of the frame and the posterior segment of the frame are in contact with the cardiac arrest victim, wherein the control system is operable to determine the size of the cardiac arrest victim based on the distance between the anterior segment of the frame and the posterior segment of the frame, and provide feedback regarding the performance of chest compressions based on the determined size of the cardiac arrest victim.

10. The device of claim **1** wherein an interior surface of the anterior segment and an interior surface of the posterior segment is adhesive, and adapted to adhere to the thorax of the cardiac arrest victim.

11. A device for measuring depth, velocity or rate of CPR chest compressions performed on the thorax of a cardiac arrest victim, where the thorax is characterized by a chest wall, a back and a thickness, said device comprising:

a frame sized and dimensioned to fit at least partially around the thorax of the cardiac arrest victim, said frame having an anterior segment and a posterior segment, the anterior segment and the posterior segment joined by an arcuate segment to form said frame, wherein said frame is resiliently biased to an open configuration as large or larger than the thickness of the victim's thorax;

a magnetic sensor capable of producing a signal corresponding to motion of the chest wall during compressions, said magnetic sensor disposed one of the anterior segment or posterior of the frame;

a magnetic field generator disposed in or on the other of the anterior segment or posterior of the frame; and

a control system operable to receive the signal corresponding to motion of the chest wall and determine the depth of chest compressions therefrom.

12. The device of claim **11** wherein said frame is U-shaped, and the anterior sensor is disposed proximate the tip of the anterior segment and the posterior sensor is disposed proximate the tip of the posterior segment.

13. The device of claim **12** wherein the magnetic sensor comprises a velocity sensor capable of producing velocity signals corresponding to the velocity of the chest and the velocity of the back; and

11

the control system is operable to integrate the signal corresponding to the velocity of the chest to determine the depth of chest compression performed on the victim.

14. The device of claim **11**, further comprising means for providing feedback to a CPR provider, wherein the control system is further operable to report the determined depth of compression through the means for providing feedback to a CPR provider.

15. The device of claim **11**, wherein the control system is further operable to compare the measured depth of compression to a desired depth of compression and report to a CPR provider whether the achieved depth of compression meets or fails to meet the desired depth.

16. The device of claim **15**, further comprising a means of determining the distance between the anterior segment of the frame and the chest wall, wherein the control system is operable to determine the size of the cardiac arrest victim based on the distance between the anterior segment of the frame and

12

the chest wall and provide feedback regarding the performance of chest compressions based on the determined size of the cardiac arrest victim.

17. The device of claim **15**, further comprising a means of determining the distance between the anterior segment of the frame and the posterior segment of the frame upon input from a CPR provider that the anterior segment of the frame and the posterior segment of the frame are in contact with the cardiac arrest victim, wherein the control system is operable to determine the size of the cardiac arrest victim based on the distance between the anterior segment of the frame and the posterior segment of the frame, and provide feedback regarding the performance of chest compressions based on the determined size of the cardiac arrest victim.

18. The device of claim **11** wherein an interior surface of the anterior segment and an interior surface of the posterior segment is adhesive, and adapted to adhere to the thorax of the cardiac arrest victim.

* * * * *