

US008920348B2

(12) **United States Patent**
Freeman

(10) **Patent No.:** **US 8,920,348 B2**
(45) **Date of Patent:** ***Dec. 30, 2014**

(54) **METHOD AND DEVICE FOR PERFORMING ALTERNATING CHEST COMPRESSION AND DECOMPRESSION**

(56) **References Cited**

U.S. PATENT DOCUMENTS

(71) Applicant: **ZOLL Medical Corporation**,
Chelmsford, MA (US)

| | | | | |
|--------------|-----|---------|--------------------|-----------|
| 2,255,684 | A * | 9/1941 | Smith | 601/10 |
| 2,910,264 | A * | 10/1959 | Lindenberger | 248/362 |
| 3,514,065 | A * | 5/1970 | Donaldson et al. | 248/363 |
| 5,318,262 | A * | 6/1994 | Adams | 248/205.8 |
| 5,327,887 | A | 7/1994 | Nowakowski | |
| 5,582,580 | A * | 12/1996 | Buckman et al. | 601/41 |
| 2008/0119766 | A1 | 5/2008 | Havardsholm et al. | |
| 2010/0185127 | A1 | 7/2010 | Nilsson et al. | |
| 2012/0238922 | A1 | 9/2012 | Stemple et al. | |

(72) Inventor: **Gary Freeman**, Chelmsford, MA (US)

(73) Assignee: **ZOLL Medical Corporation**,
Chelmsford, MA (US)

FOREIGN PATENT DOCUMENTS

(*) Notice: Subject to any disclaimer, the term of this patent is extended or adjusted under 35 U.S.C. 154(b) by 131 days.

WO WO2011155604 12/2011

This patent is subject to a terminal disclaimer.

* cited by examiner

(21) Appl. No.: **13/631,289**

Primary Examiner — Justine Yu

Assistant Examiner — Timothy Stanis

(22) Filed: **Sep. 28, 2012**

(74) *Attorney, Agent, or Firm* — K. David Crockett, Esq.; Paul J. Backofen, Esq.; Crockett & Crockett, PC

(65) **Prior Publication Data**
US 2014/0094724 A1 Apr. 3, 2014

(57) **ABSTRACT**

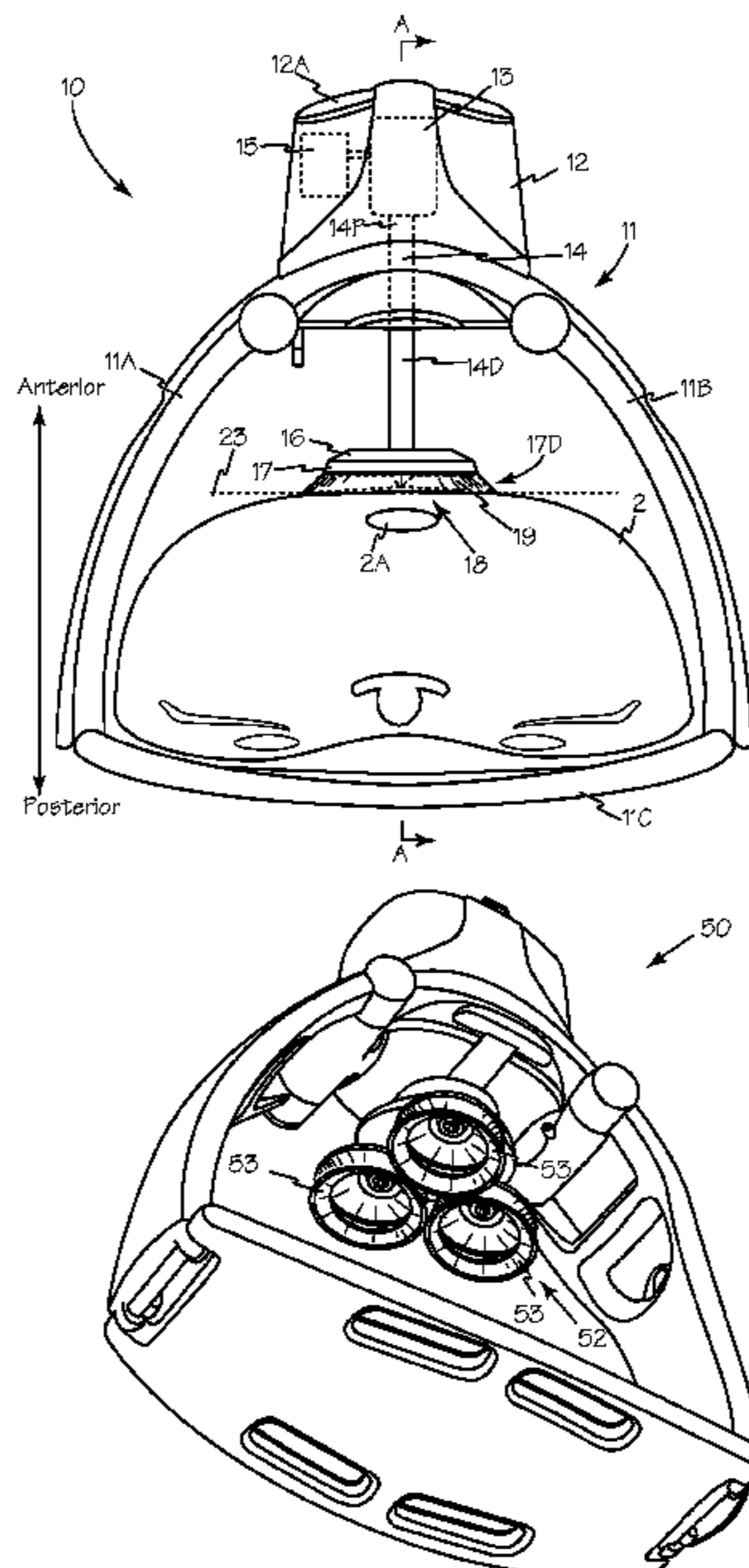
(51) **Int. Cl.**
A61H 31/00 (2006.01)

A plunger adapter and a detachable compression pad for piston driven chest compression devices optimizes the application of chest compressions to a fixed location on a patient's chest. The detachable compression pad may be removably secured to the patient above the patient's sternum to ensure that the compression pressure from the piston through the piston adapter is applied to a fixed location on the patient's chest. As the plunger and plunger adapter retract from the chest, the compression pad remains fixed to the patient's chest, and as the plunger and plunger adapter extend from the chest compression unit for subsequent compression strokes, the distal end of the plunger adapter reengages the compression pad to apply compression to a fixed location on the patient's chest.

(52) **U.S. Cl.**
USPC **601/41**; 601/44

(58) **Field of Classification Search**
CPC ... A61H 31/00; A61H 31/006; A61H 31/007;
A61H 31/008; A61H 2031/00; A61H
2031/003
USPC 601/41-44, 97; 248/467
See application file for complete search history.

4 Claims, 7 Drawing Sheets



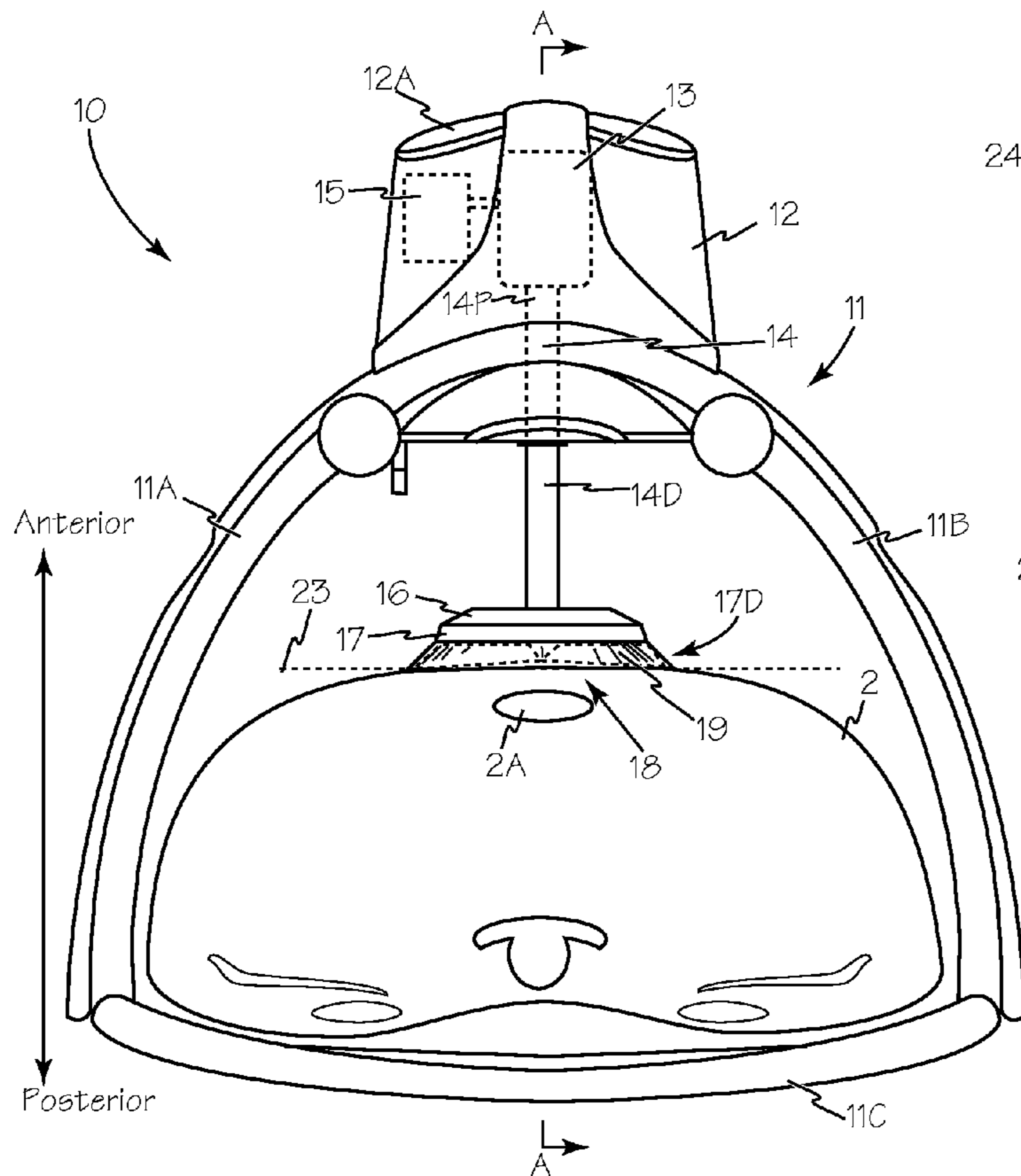


Fig. 1

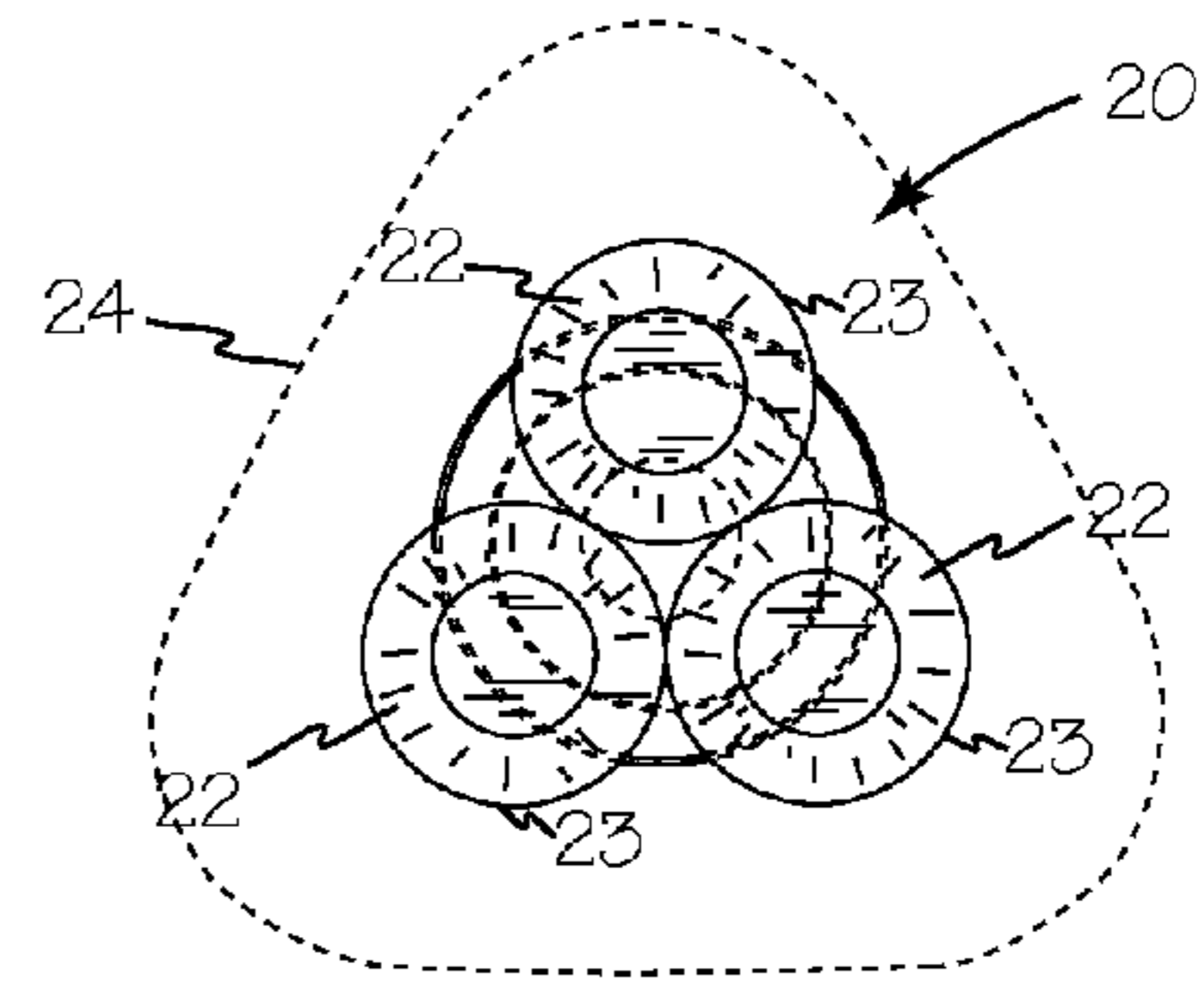


Fig. 3

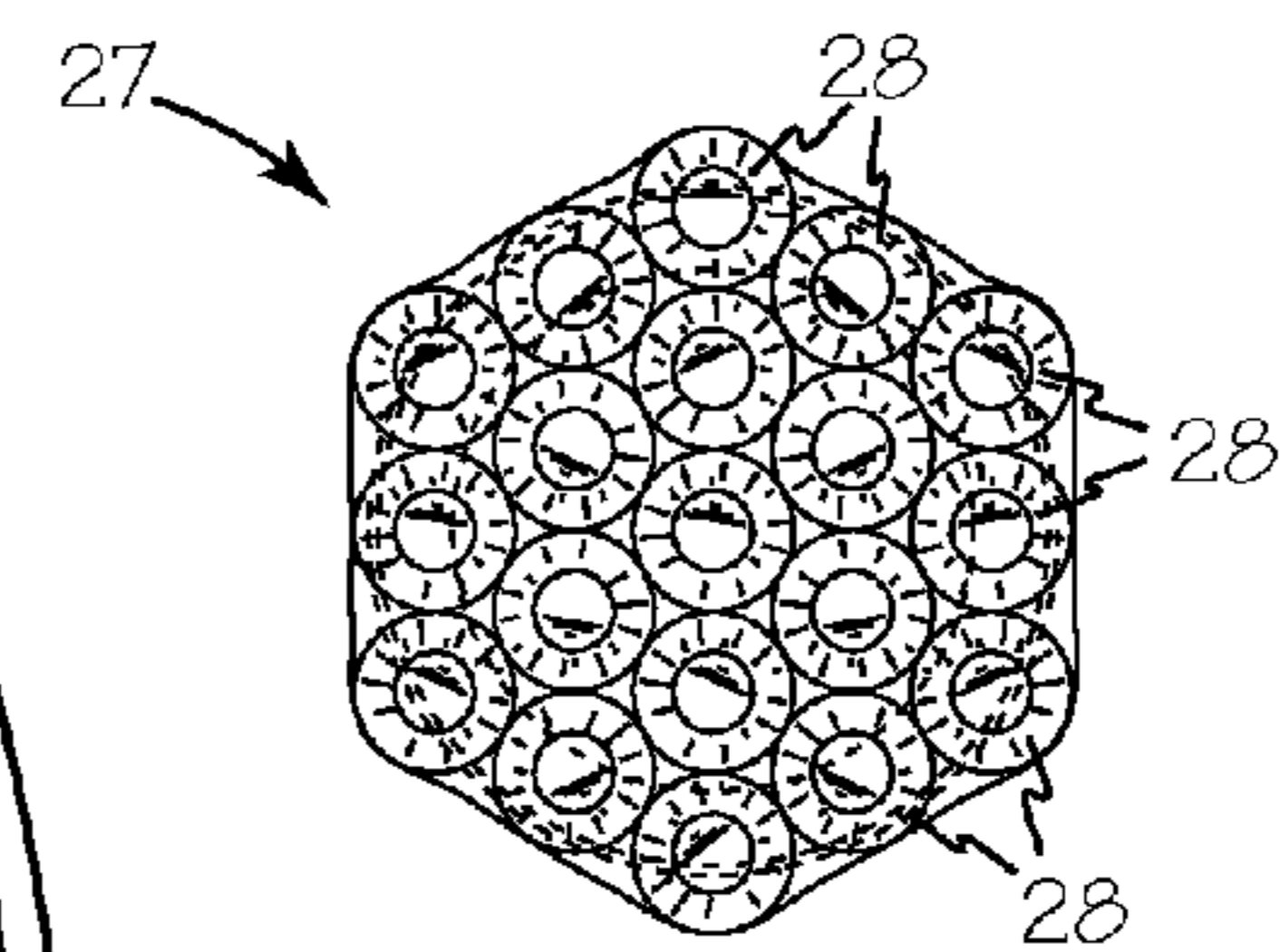


Fig. 4

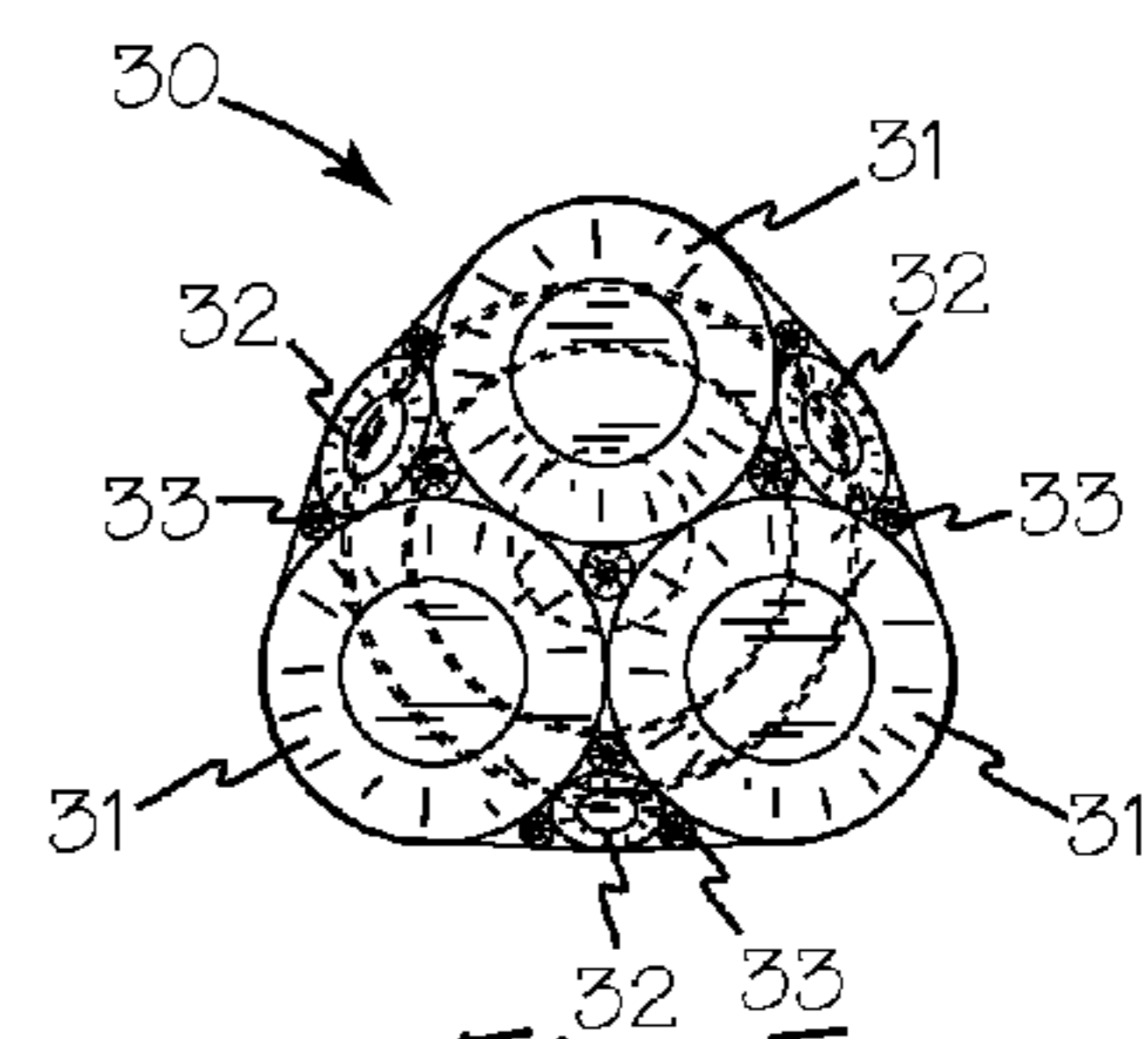


Fig. 5

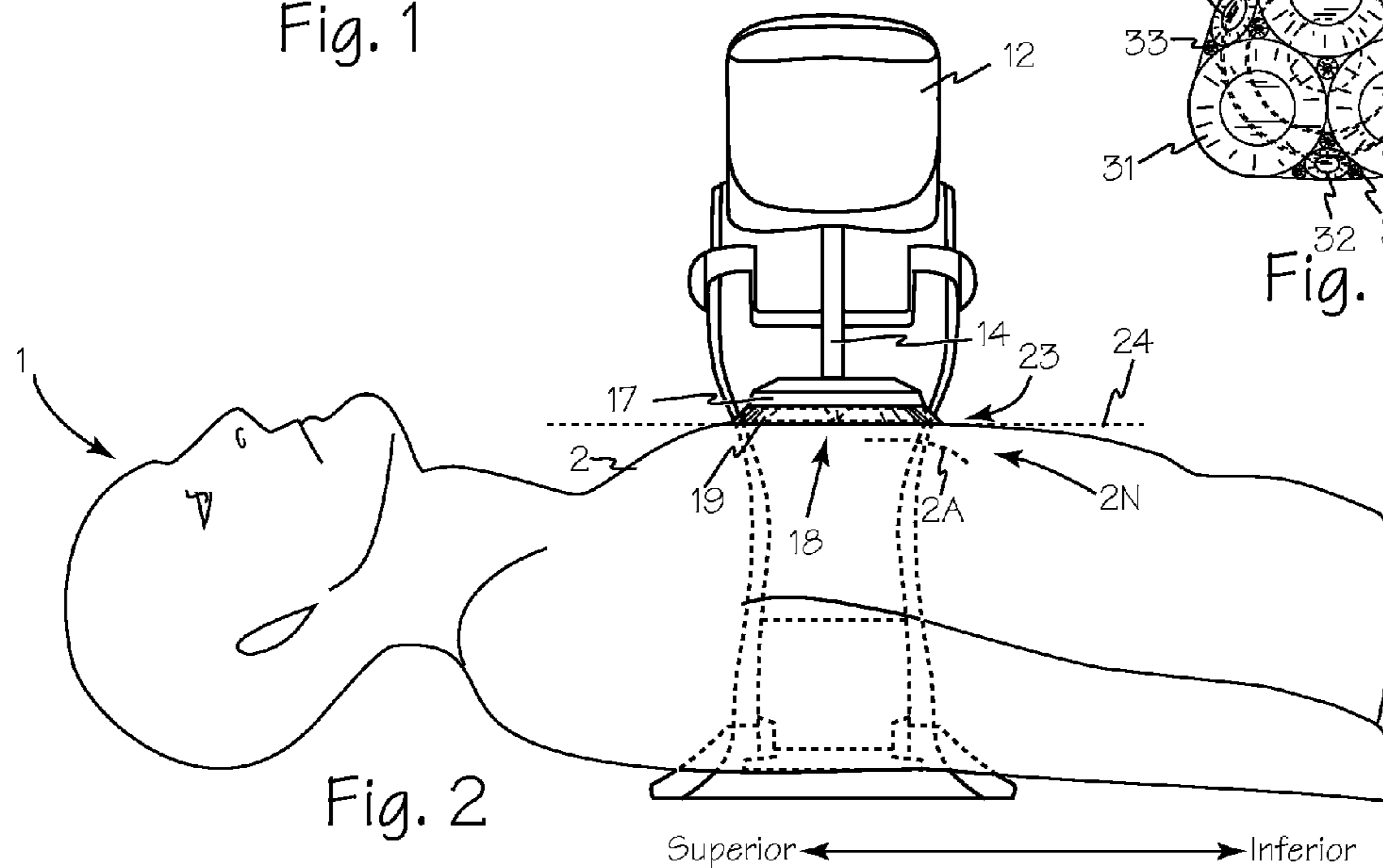
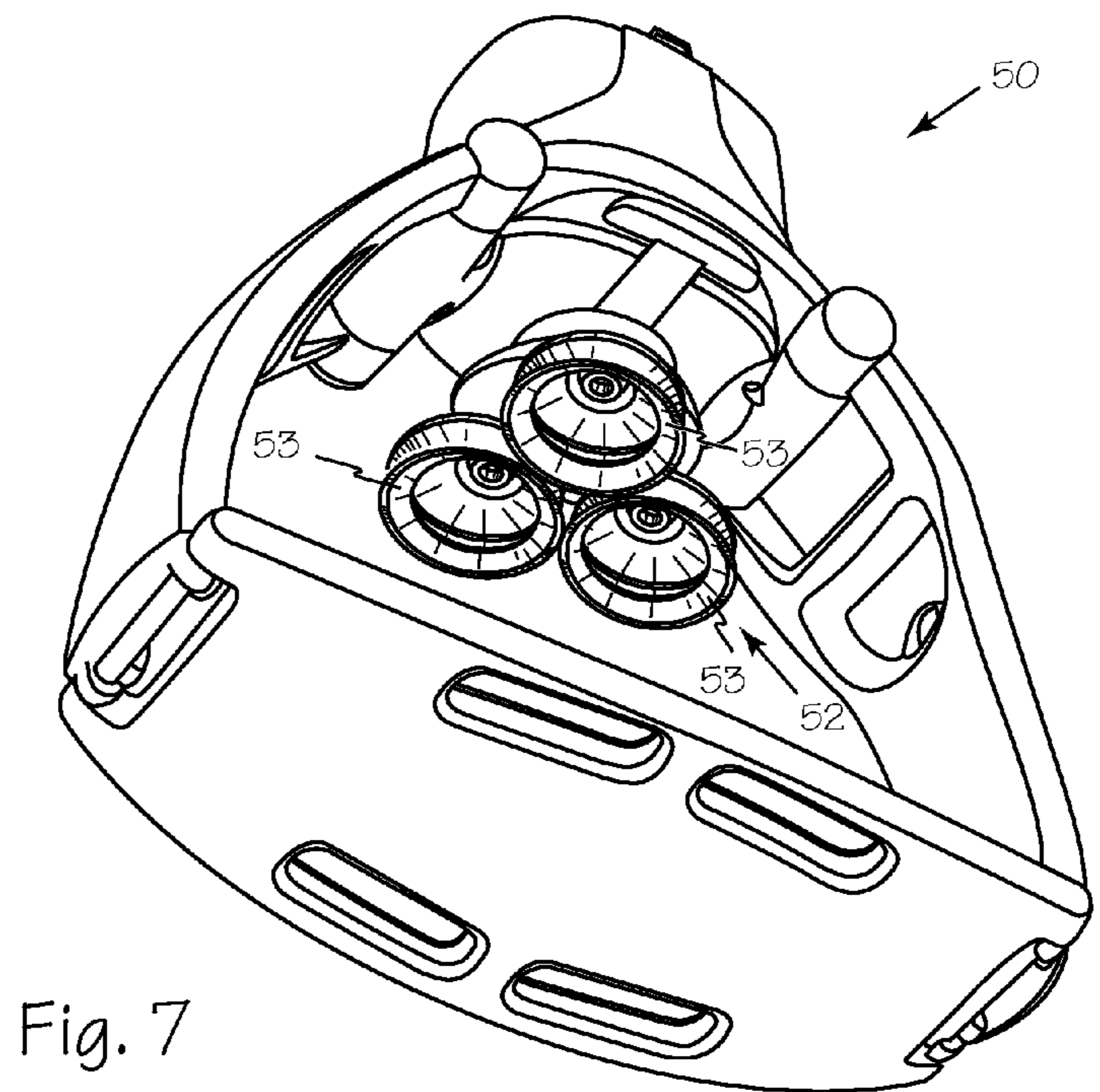
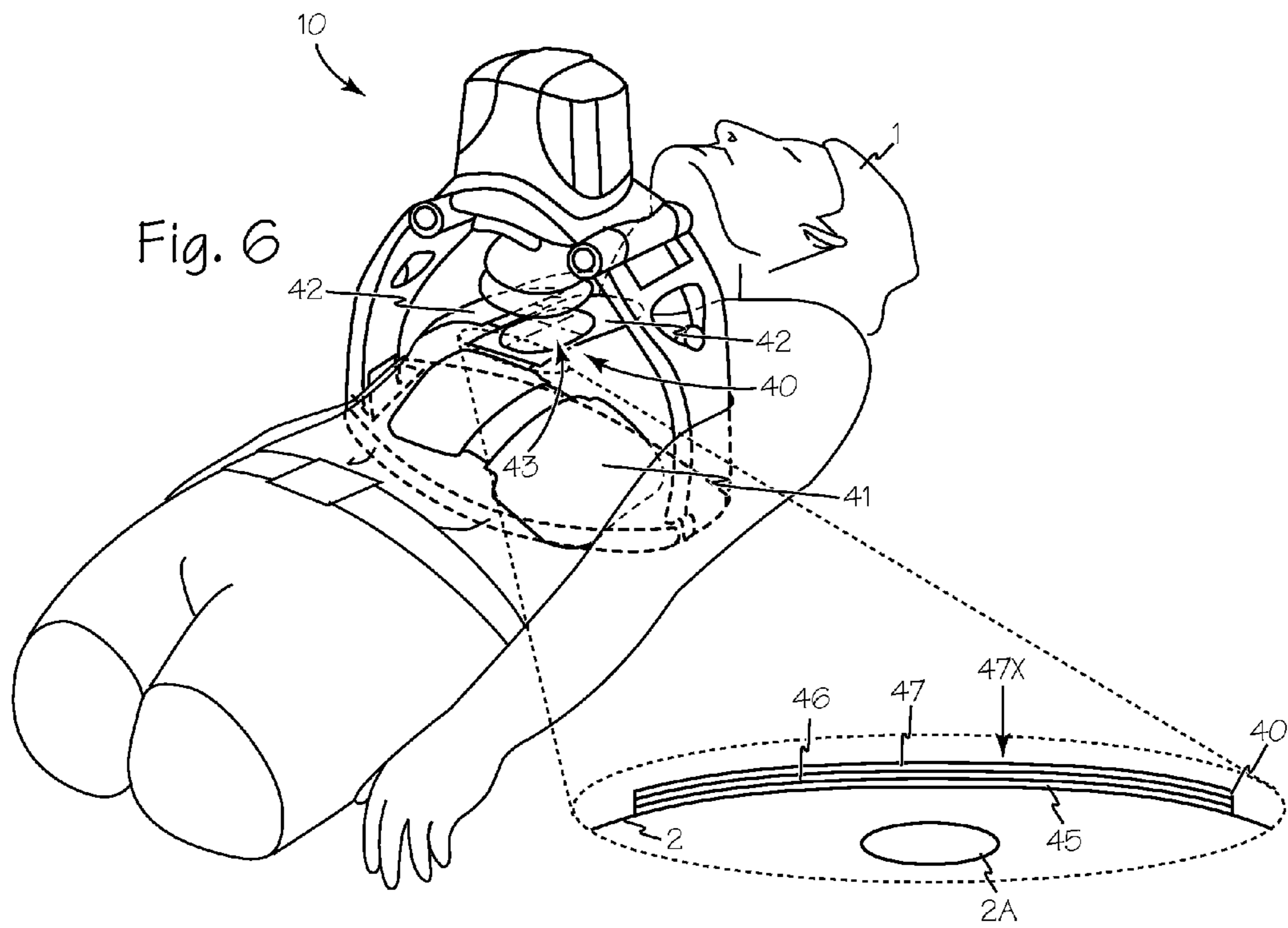


Fig. 2



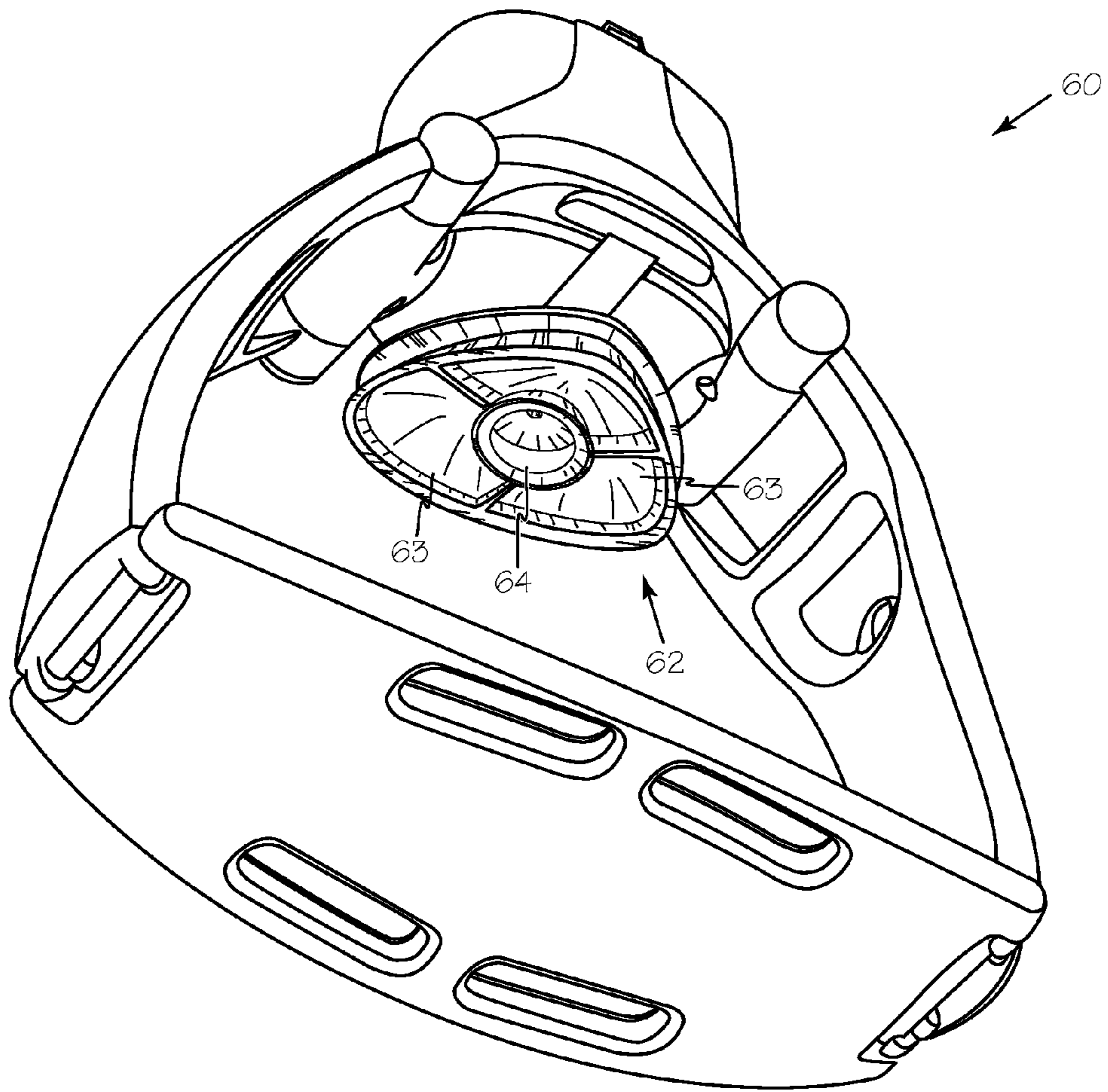
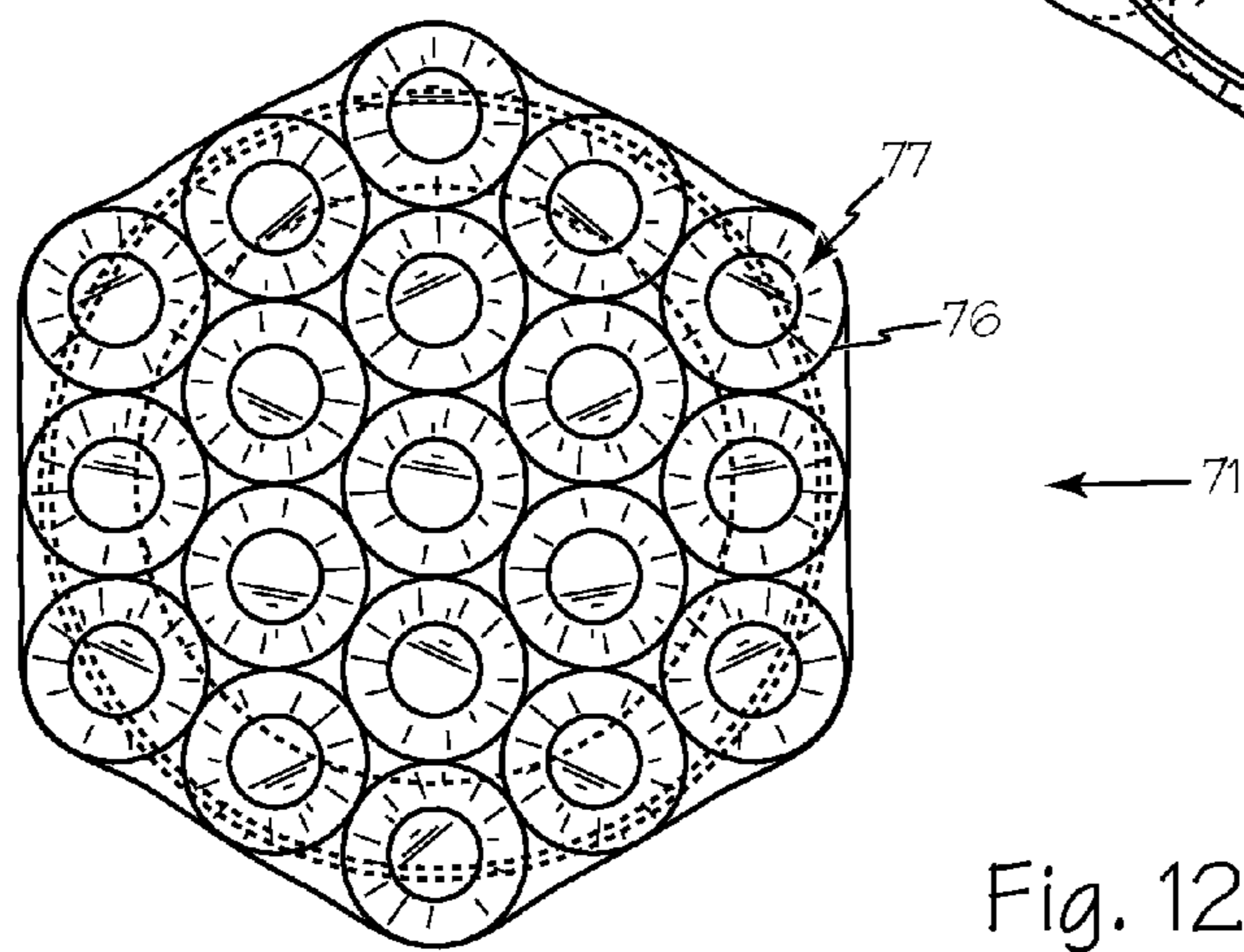
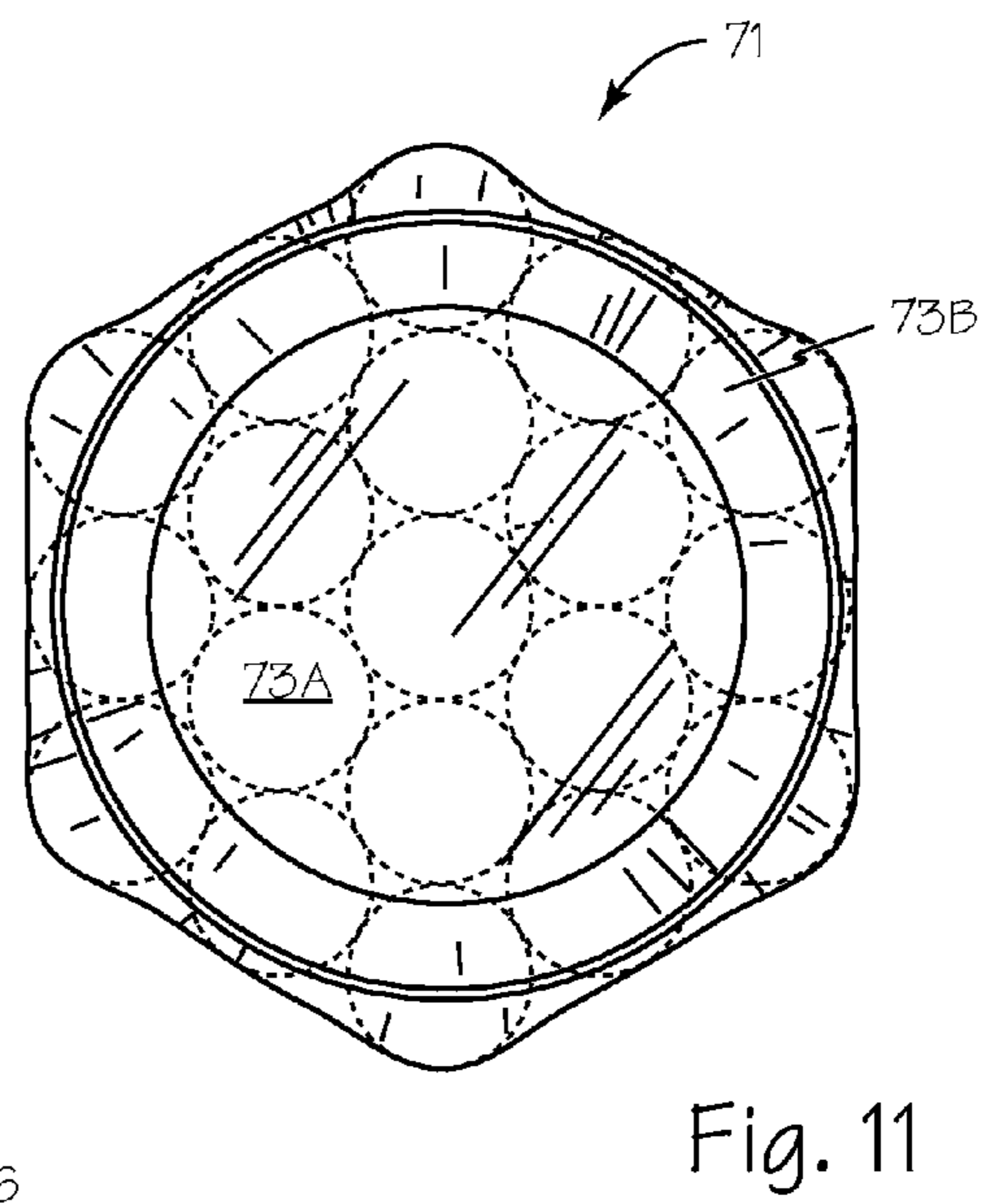
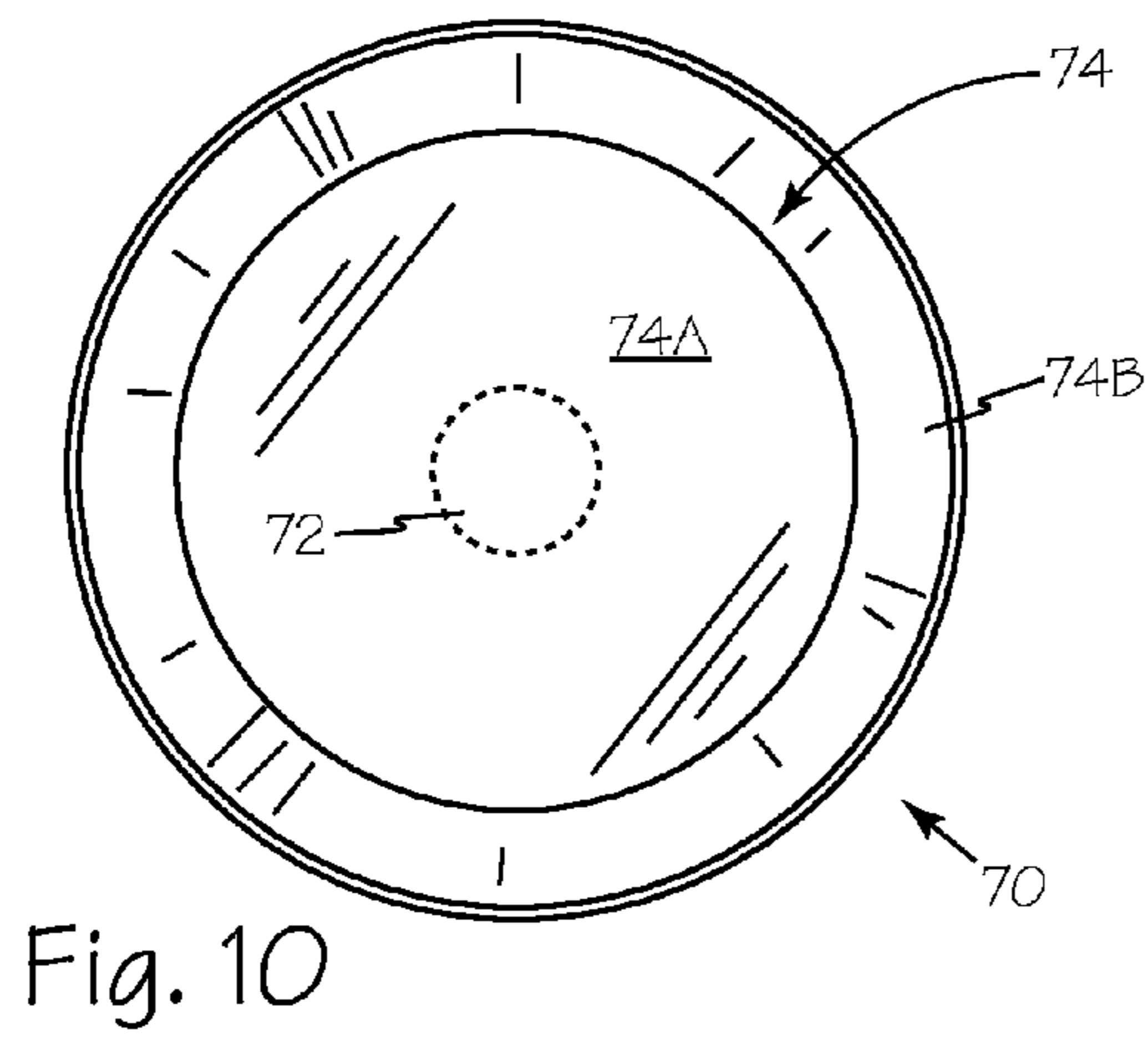
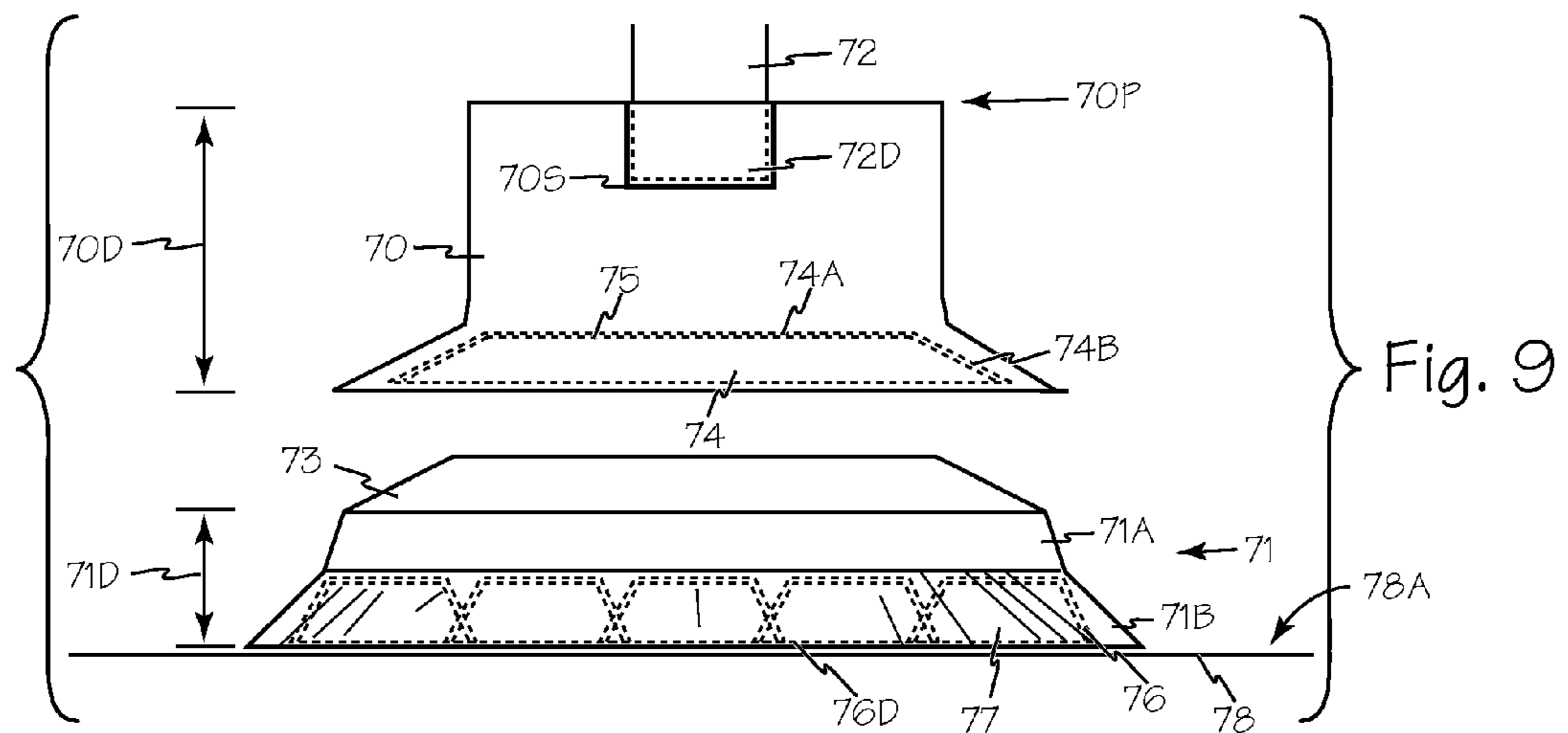


Fig. 8



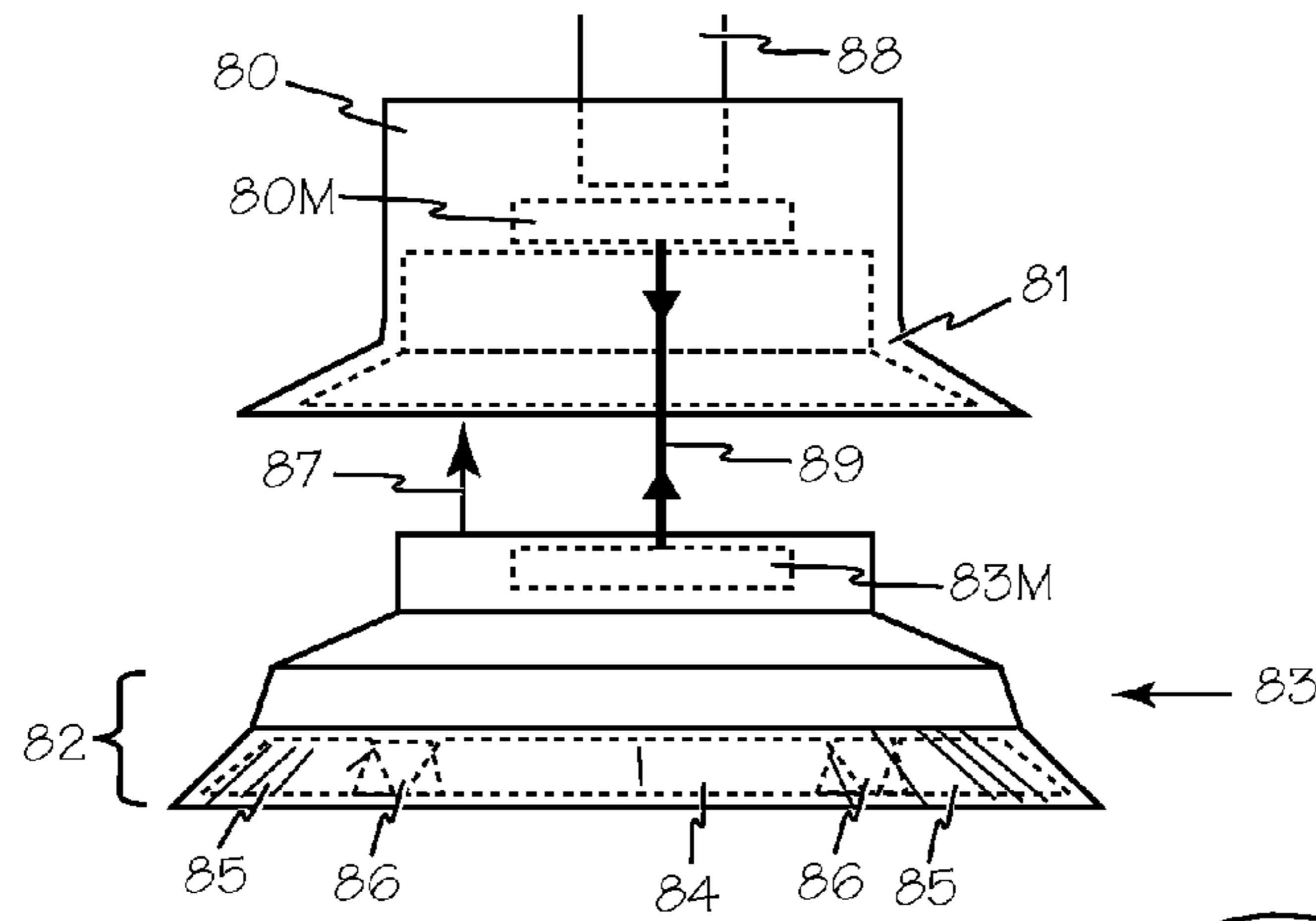


Fig. 13

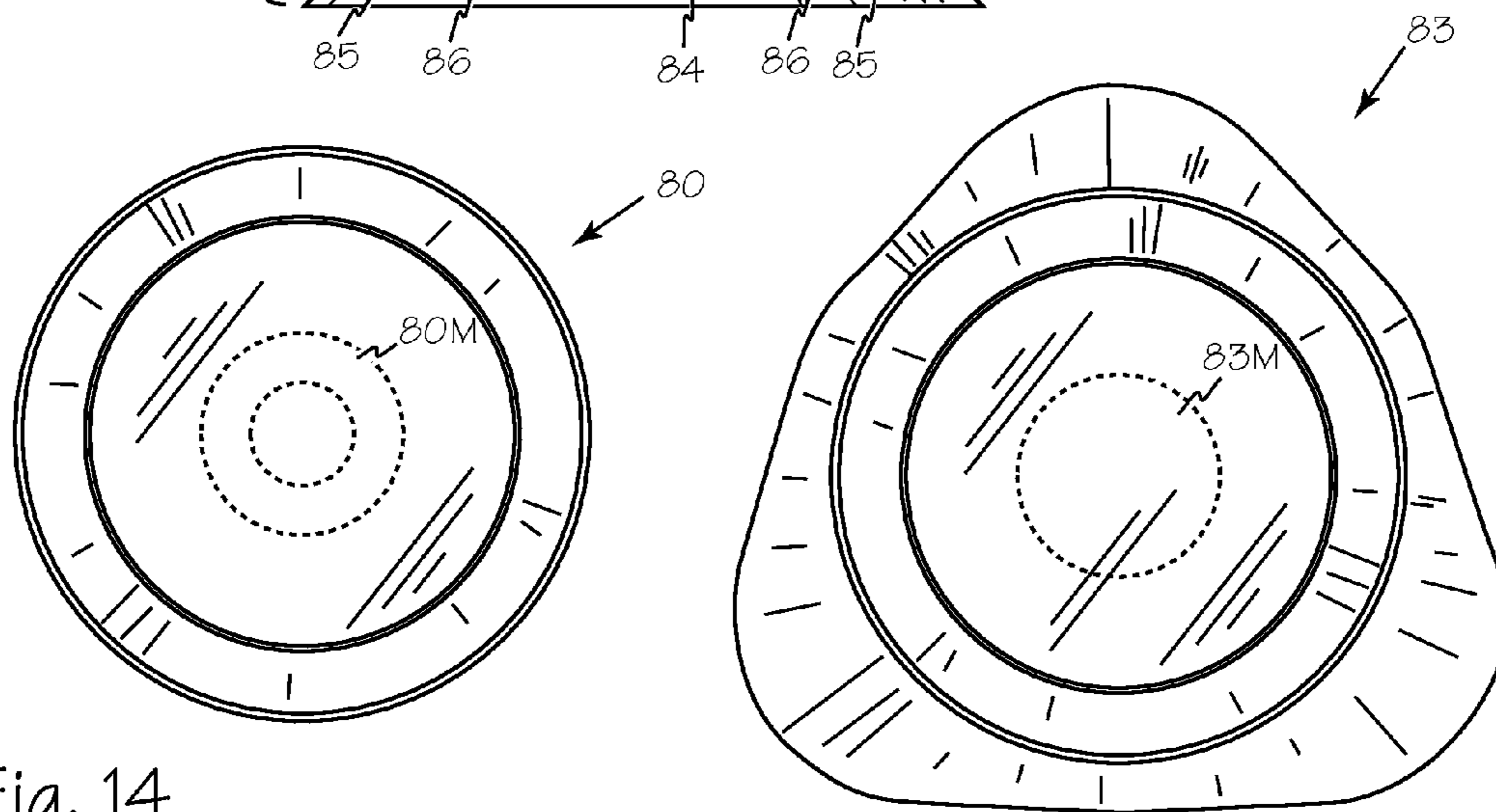


Fig. 14

Fig. 15

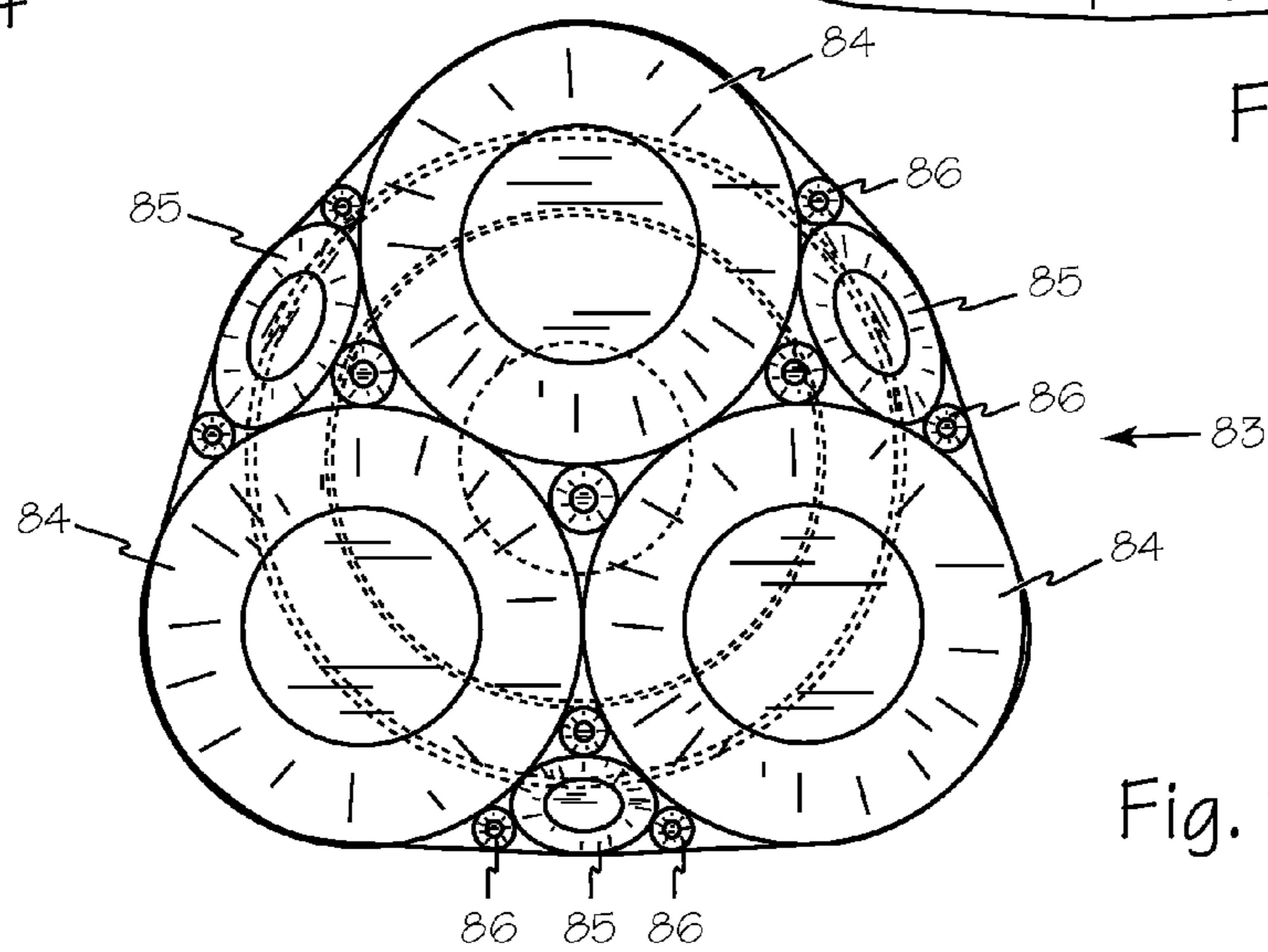
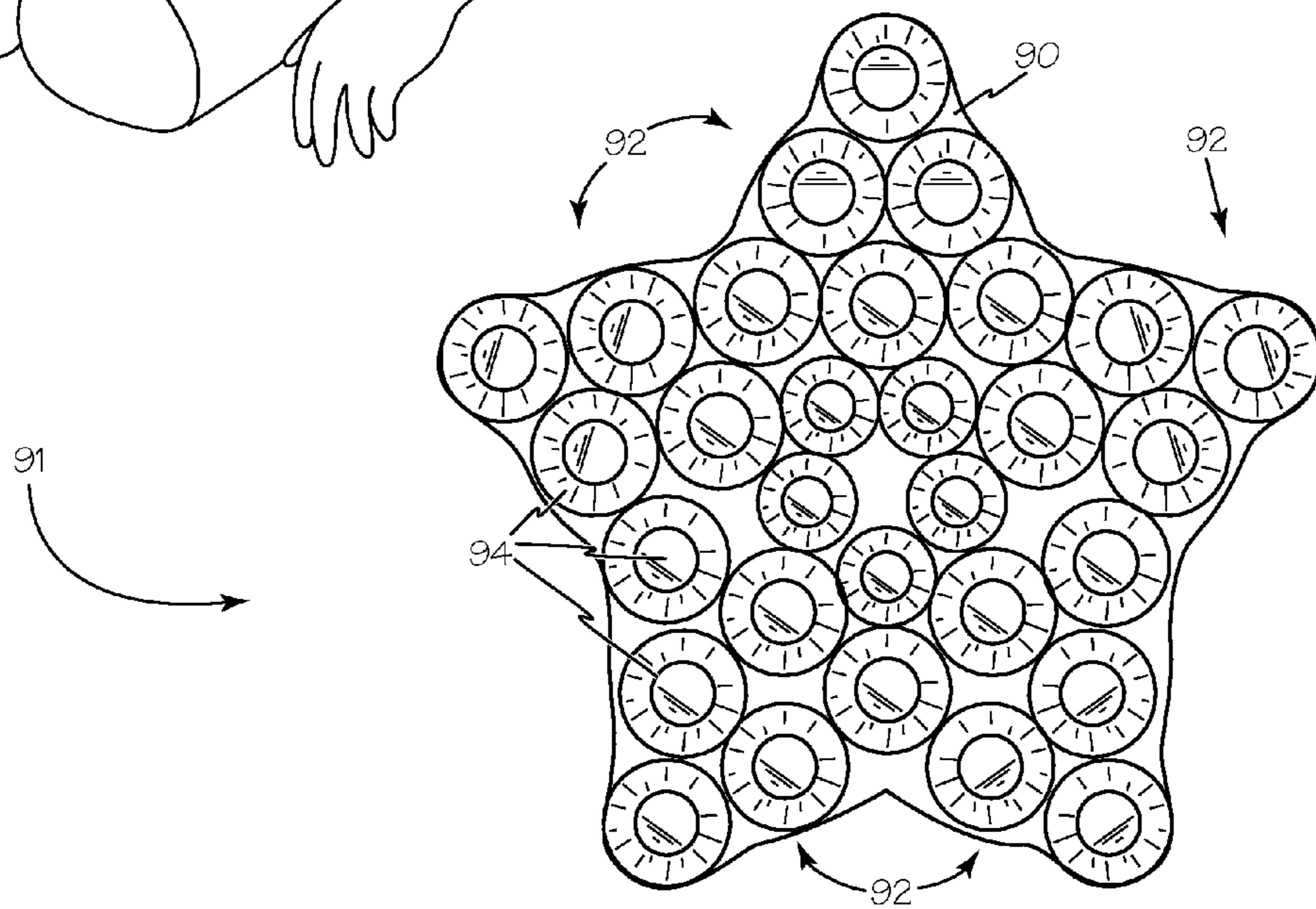
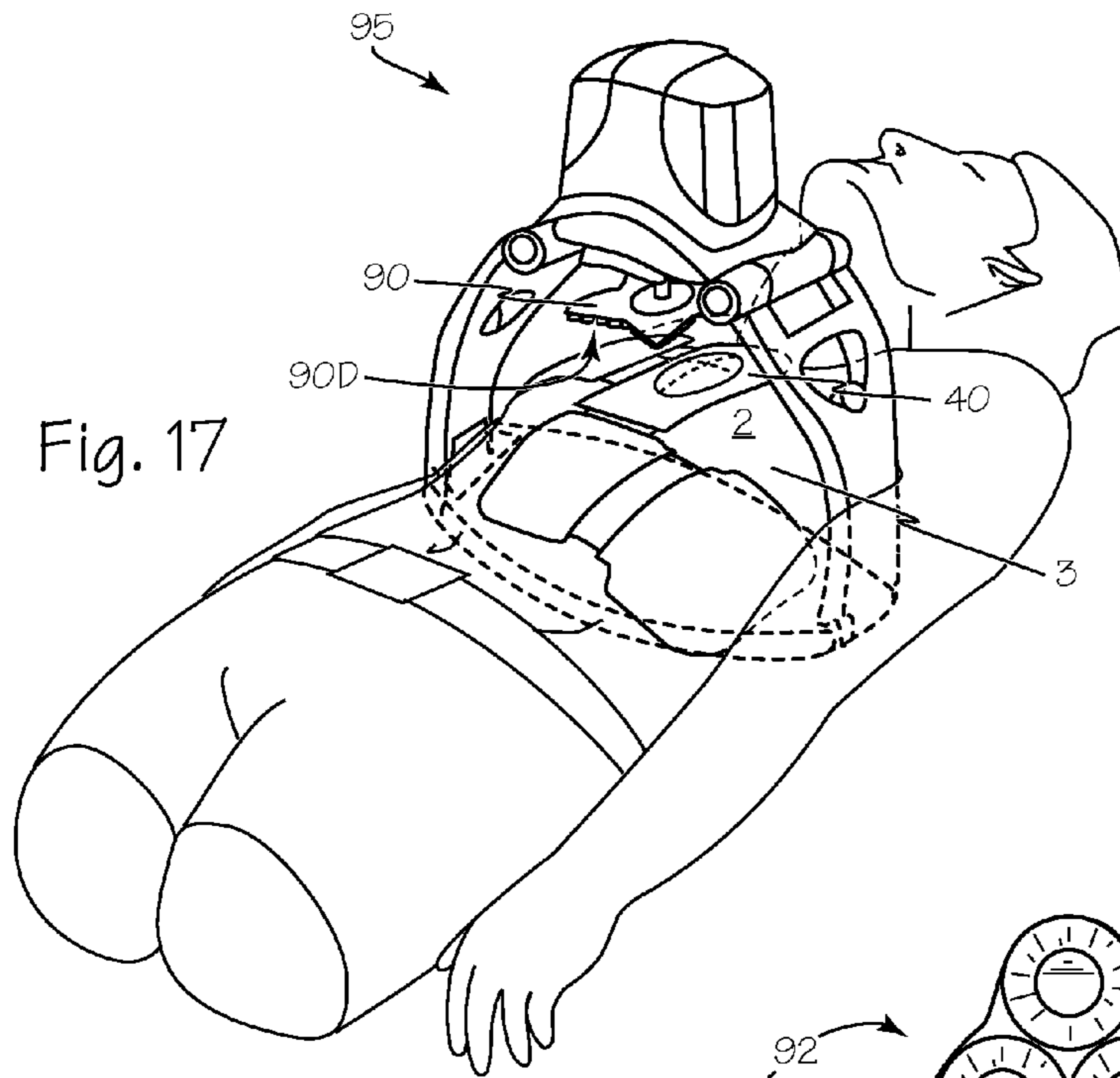
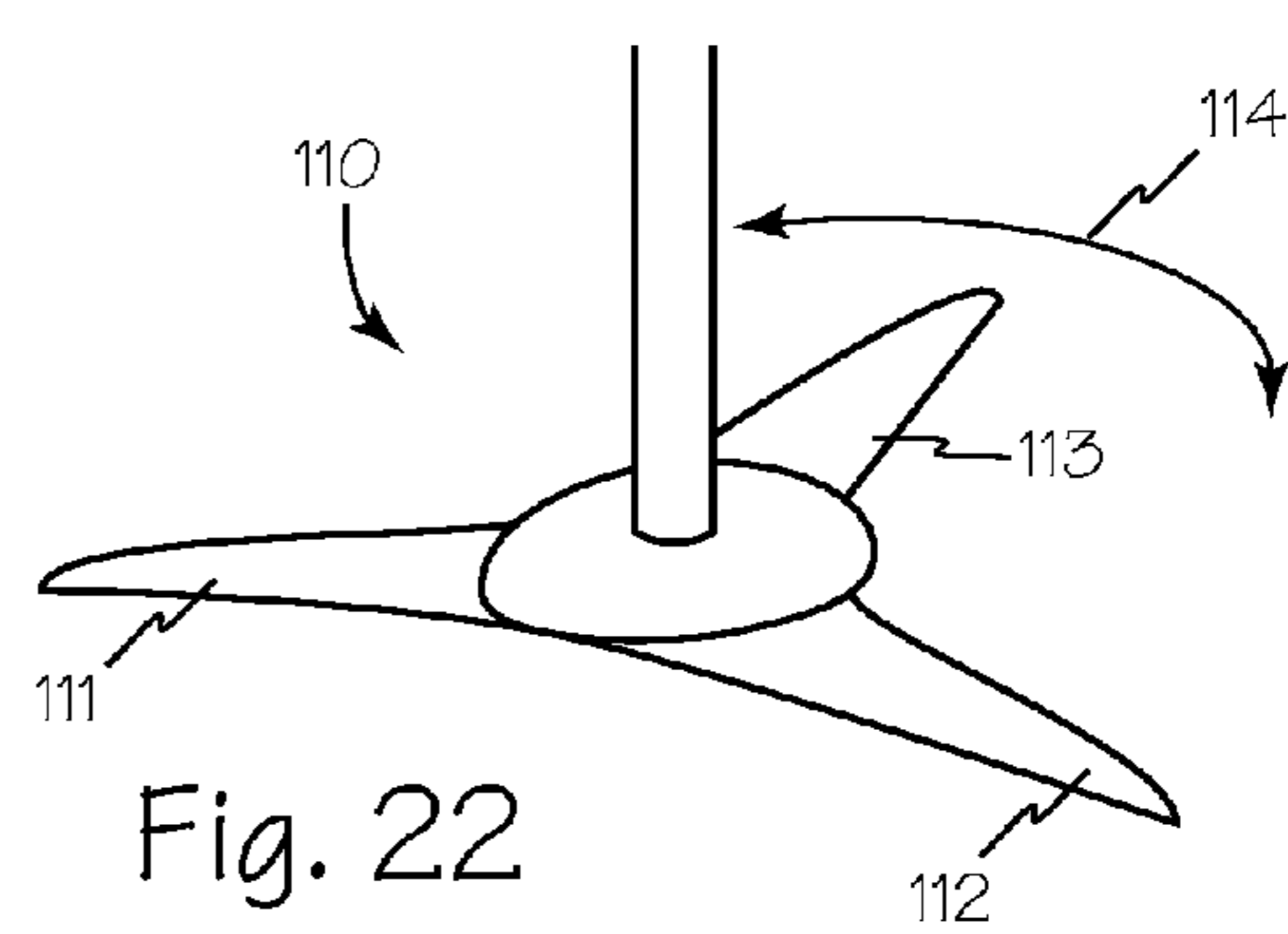
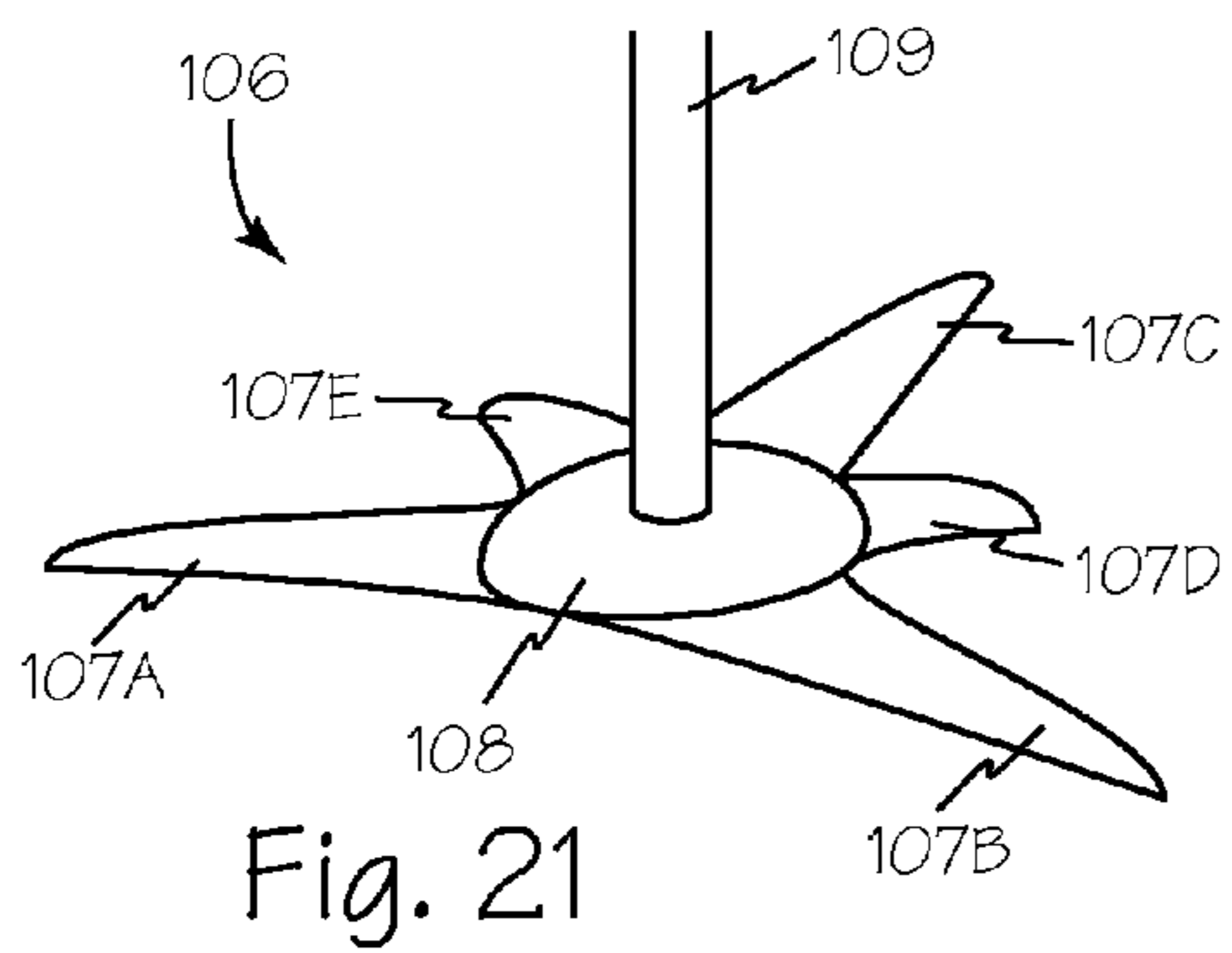
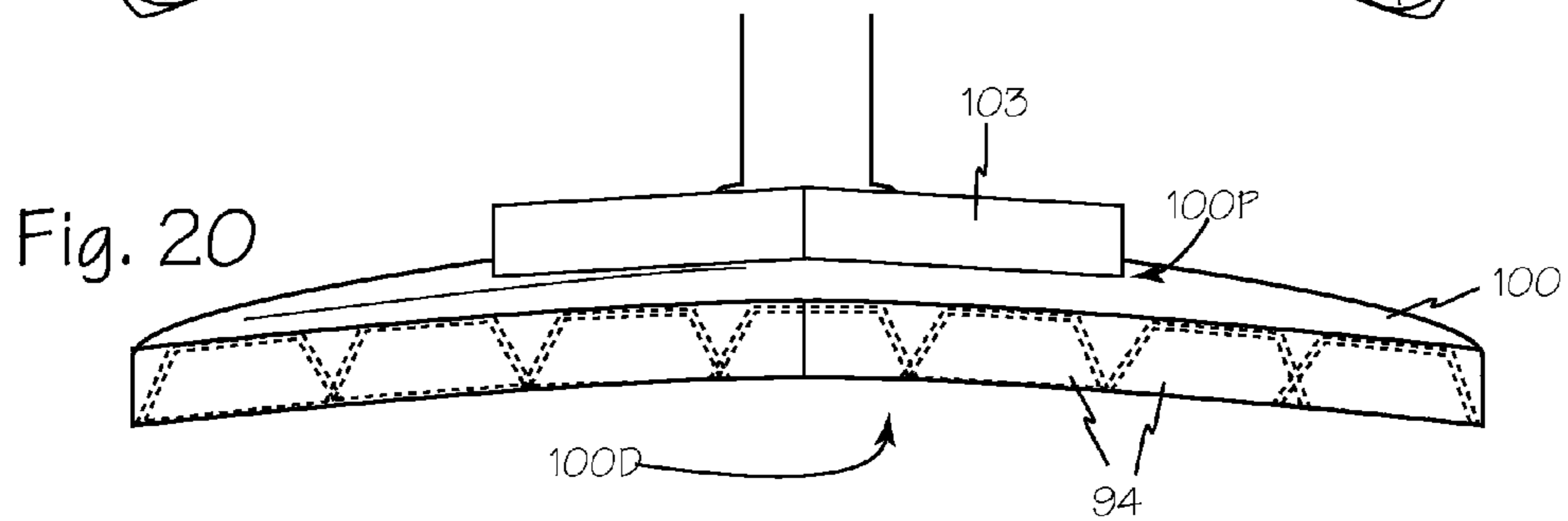
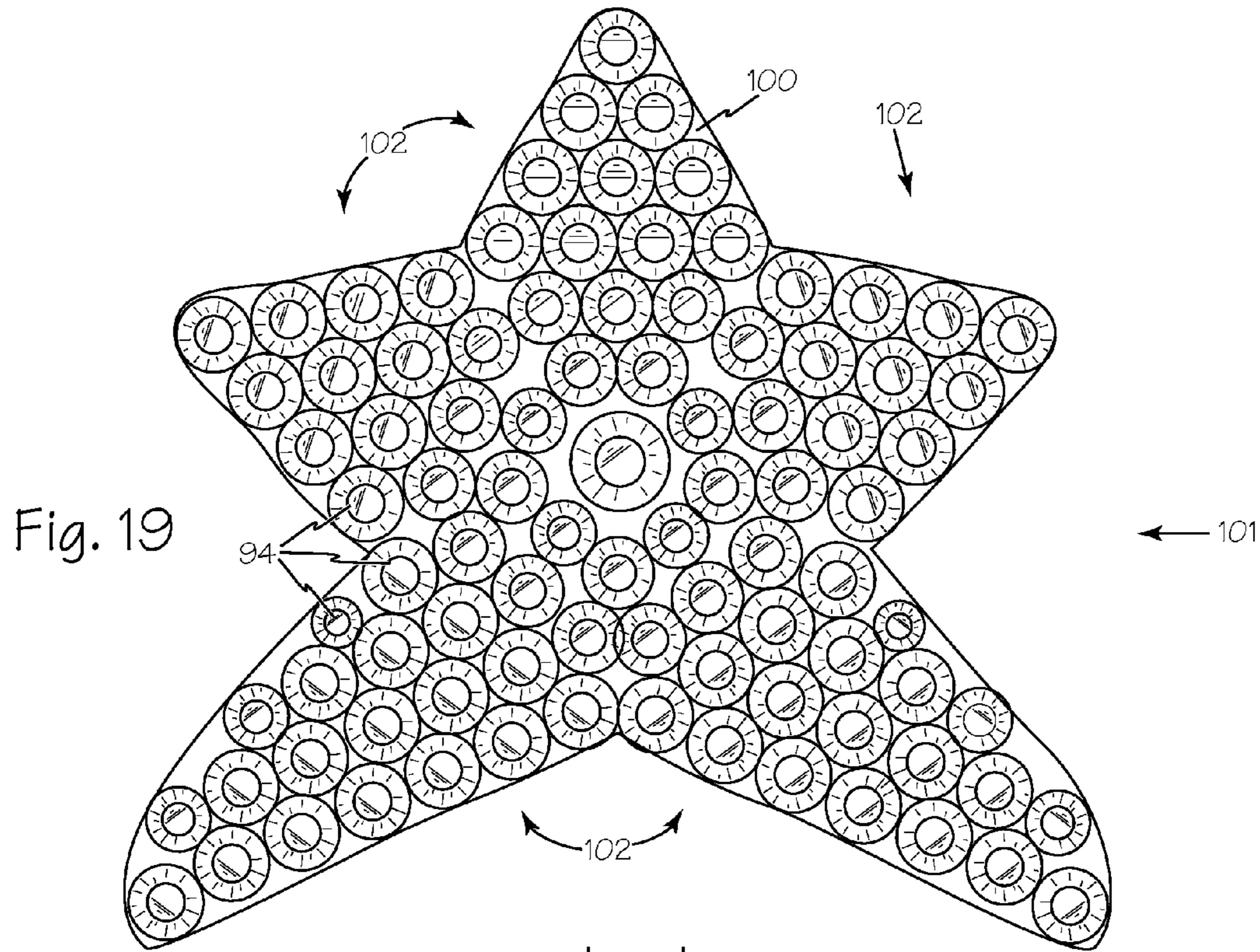


Fig. 16





1

METHOD AND DEVICE FOR PERFORMING ALTERNATING CHEST COMPRESSION AND DECOMPRESSION

FIELD OF THE INVENTIONS

The inventions described below relate the field of cardiopulmonary resuscitation (CPR).

BACKGROUND OF THE INVENTIONS

According to the American Heart Association nearly 383,000 out-of-hospital sudden cardiac arrests occur annually in the United States. These patients may be saved by the timely application of life saving measures such as Cardiopulmonary resuscitation (CPR).

CPR is a well-known and valuable method of first aid used to resuscitate people who have suffered from cardiac arrest. CPR requires repetitive chest compressions to squeeze the heart and the thoracic cavity to pump blood through the body. Artificial respiration, such as mouth-to-mouth breathing or a bag mask device, is used to supply air to the lungs. When a first aid provider performs manual chest compression effectively, blood flow in the body is about 25% to 30% of normal blood flow. However, even experienced paramedics cannot maintain adequate chest compressions for more than a few minutes. Hightower, et al., *Decay In Quality Of Chest Compressions Over Time*, 26 Ann. Emerg. Med. 300 (Sep. 1995). Thus, CPR is not often successful at sustaining or reviving the patient. Nevertheless, if chest compressions could be adequately maintained, then cardiac arrest victims could be sustained for extended periods of time. Occasional reports of extended chest compression efforts (45 to 90 minutes) have been reported, with the victims eventually being saved by coronary bypass surgery. See Tovar, et al., *Successful Myocardial Revascularization and Neurologic Recovery*, 22 Texas Heart J. 271 (1995).

In efforts to provide better blood flow and increase the effectiveness of bystander resuscitation efforts, various mechanical devices have been proposed for performing AUTOMATED CHEST COMPRESSIONS. There are currently two types of automated chest compression devices. One type uses a belt placed around the patient's chest to effect chest compressions. The AutoPulse® chest compression is one such device, and is described in patents such as Mollenauer, et al., Resuscitation Device having a Motor Driven Belt to Constrict/Compress the Chest, U.S. Pat. No. 6,142,962(Nov. 7, 2000). The other type uses a piston which repeatedly compresses the chest. Piston based chest compression systems include the LUCAS® chest compression device (illustrated in Sebelius, et al., Rigid Support Structure on Two Legs for CPR, U.S. Pat. No. 7,569,021(Aug. 4, 2009)) and the THUMPER® chest compression device (illustrated in Barkolow, *Cardiopulmonary Resuscitator Massager Pad*, U.S. Pat. No. 4,570,615 (Feb. 18, 1986). These chest compression systems include a piston and a motor for repeatedly driving the piston downwardly on the chest, and lifting the piston from the chest to allow the chest to expand under its own natural resistance. Some have proposed improving piston-based CPR with a technique called active compression/decompression, which involves actively lifting the chest wall between CPR compressions. Sebelius, et al., Positioning Device For Use In Device For Treating Sudden Cardiac Arrest, U.S. Pat. No. 7,841,996 (Nov. 30, 2010) proposes use of a suction cup on the bottom of the piston, to secure the chest of the patient to the piston. In this manner, the piston, upon upward movement, actively lifts the patient's chest, or at least

2

exerts some upward force on the anterior wall of the chest, to speed the expansive of the chest between each compression. A manual CPR assistance device, the RESQPUMP®, (Advanced Circulatory Systems), also includes a suction cup on the bottom of a manually operated compression pad. This is also proposed to provide lifting force, through the suction cup, on the anterior surface of the chest during the upstroke of the compression cycle.

SUMMARY

The devices and methods described below provide for improved attachment of a compression pad of a piston-based chest compression device to a patient's chest, to provide improved active compression/decompression CPR. The device includes a compression pad for piston driven chest compression devices that enables and optimizes compression and decompression force. The compression pad includes two or more suction cups, vacuum cups or suckers to engage the surface of the patient's chest and provide improved decompression force to the patient's chest during mechanical CPR.

When the rim or distal edges of the suction cups are pressed against the surface of the patient's chest and the proximal ends of the suction cups are pressed during chest compression, the volume of the space within the suction cup and the chest surface is reduced, which causes the fluid, air, between the cup and the chest to be expelled past the rims of the suction cups. When the chest compression device ends its compression stroke and is pulled upward in the decompression stroke, suction created between the suction cups and the chest helps secure the compression pad to the chest. As the material of the compression pad tends to resume its original shape when lifted, and some air has already been forced out of the space inside of the cups, the pressure in each of the suction cup spaces is lower than atmospheric pressure which enables the compression pad to exert some decompression force on the patient's chest. The pressure difference between the atmosphere on the outside of the cup is what keeps the cup adhered to the surface and enables decompression force to be exerted on the patient's chest.

The upward force developed by a suction cup is a function of the area of the suction cup. Using multiple suction cups on a compression pad enables the pressure of each suction cup to be kept low while the combined decompression force of all the suction cups of a compression pad is high enough to provide meaningful chest decompression. Balancing the suction force of multiple small suction cups against the total force for all the suction cups on a compression pad eliminates injury to a patient's chest that may occur with a single large suction cup. The suction cups may adopt any useful shape to optimize the number of suction cups on a compression pad and to optimize the decompression force on a patient's chest as well as optimizing the application of compression force to the patient's chest. Also, the use of numerous, small suction cups facilitates conformance of the suction cups to complex 3-D shapes such as the surface of the patient's chest. Improved surface conformance results in improved sealing of the suction cups to the patient's skin, further enhancing the amount of upward force that can be applied by the device. Multiple suction cups on the distal side of the compression pad enables the decompression force applied by the retraction of the plunger adapter to be limited to prevent dissecting injury to the tissues of a patient's chest.

A compression orientation pad may be secured to the patient's chest to provide a readily visible landmark for applying the chest compression, to provide a smooth surface for achieving suction to enable decompression force to be

3

applied, and to incorporate ECG and defibrillation electrodes and other suitable rescue components. Alternatively, any smooth sticker or adhesive sheet may be used as a landmark and to provide a smooth surface for optimizing the suction of the compression pad against the patient's chest.

To provide a controllable mechanism for applying upward force on the patient's chest, a detachable plunger adapter and a cooperating compression pad adhered via suction to the patient's chest may be used. Detachment mechanisms between the plunger adapter and the compression pad which can be readily limited in the amount of upward force which might be applied include magnetic or frictional attachment between the compression pad and the adapter. The attachment force between the plunger adapter and the compression pad can thus be predetermined and limited.

BRIEF DESCRIPTION OF THE DRAWINGS

FIG. 1 is a front view of a piston driven chest compression device with a suction compression pad and a cross section of a patient's chest showing landmark skeletal structures.

FIG. 2 is a cross section of the chest compression device of FIG. 1 taken along A-A with a separable plunger adapter and compression pad.

FIG. 3 is an end view of the distal end of the compression pad of FIG. 1.

FIG. 4 is an end view of the distal end of an alternate compression pad for the device of FIG. 1.

FIG. 5 is an end view of the distal end of another alternate compression pad for the device of FIG. 1.

FIG. 6 is a perspective view of a piston driven chest compression device engaging a patient with an orientation and defibrillation pad.

FIG. 7 is a perspective view of a piston driven chest compression device with the compression pad of FIG. 4.

FIG. 8 is a perspective view of a piston driven chest compression device with the proximal end of the compression pad including multiple integrated suction cups.

FIG. 9 is a side view of a plunger adapter and compression pad.

FIG. 10 is an end view of the distal end of a plunger adapter with a frusto-conical socket.

FIG. 11 is an end view of the proximal end of a compression pad with an extension corresponding to the frusto-conical socket of the plunger adapter of FIG. 9.

FIG. 12 is an end view of the distal end of the compression pad of FIG. 9.

FIG. 13 is a side view of an alternate plunger adapter and compression pad.

FIG. 14 is an end view of the distal end of the plunger adapter of FIG. 13.

FIG. 15 is an end view of the proximal end of a compression pad with an extension corresponding to the plunger adapter of FIG. 13.

FIG. 16 is an end view of the distal end of the compression pad of FIG. 13.

FIG. 17 is a perspective view of a piston driven chest compression device with a multi-lobed compression pad engaging a patient with an orientation and defibrillation pad.

FIG. 18 is an end view of the distal end of the compression pad of FIG. 17.

FIG. 19 is an end view of the distal end of an alternate multi-lobed compression pad.

FIG. 20 is a side view of the compression pad of FIG. 19.

FIG. 21 is a perspective view of an alternate compression pads with five appendages.

4

FIG. 22 is a perspective view of another alternate compression pad with three appendages.

DETAILED DESCRIPTION OF THE INVENTIONS

FIGS. 1 and 2 illustrate a piston-based chest compression device installed on a patient. In FIGS. 1 and 2, mechanical chest compression device 10 is oriented to apply compressions to the anterior surface of chest 2 of patient 1. Chest compression device 10 includes support structure 11 which supports and orients chest compression unit 12 apposing sternum 2A. Support structure 11 may be subdivided into legs 11A and 11B and back plate 11C. Chest compression unit 12 includes any suitable drive means such as motor 13 which may be a reversible electromotor, a linear actuator or the like. Plunger 14 has a distal end 14D and a proximal end 14P, and proximal end 14P of the plunger is operably coupled to motor 13. The plunger extends from and withdraws into the housing upon operation of motor 13, and the distal end 14D of plunger impacts the patient's chest. A motor control unit such as controller 15 is operably connected to motor 13 and may include a microprocessor to control the operation of the motor and the plunger. A compression pad 17 (referred to as a compression component by Sibelius) with two or more suction cups 19 applies compression and decompression force to patient 1.

Alternatively, support structure 11 may also have a single leg or post which supports a chest compression unit cantilevered over the patient.

In use, compression pad 17 is removably secured to the patient's chest at force application location 18, which is in a superior position relative to sternal notch 2N as illustrated in FIG. 2. Compression pad 17 may be secured to the patient by suction created by the suction cups 19 formed on distal end 17D. The mechanical chest compression device 10 is oriented around the patient's chest 2 with chest compression unit 12 apposing compression pad 17. Plunger 14 is extended to confirm proper siting of compression pad 17 on the patient and to confirm mating and orientation of plunger adapter 16 with compression pad 17. Upon confirmation of proper alignment and orientation, controller 15 is instructed, through any suitable interface such as interface 12A, to perform cyclic compressions and decompressions for CPR.

Distal end 17D of compression pad 17 may adapt any suitable number and configuration of suction cups as illustrated in FIGS. 3, 4 and 5. Compression pad 20 includes suction cups 22 which are generally the same size and shape and oriented to maintain cup rims 23 in rim plane 24. Rim plane 24 may be curved and may adopt any suitable shape to optimize suction for each of cups 22. Compression pad 27 may include many small suction cups, such as suction cups 28, to control the amount of suction provided by any single suction cup and to minimize the likelihood that loss of suction by any single suction cup will eliminate the decompression force of the chest compression device. Alternate compression pad 30 illustrates a combination of sizes and shapes of suction cups such as round suction cups 31, oval suction cups 32 and small suction cups 33 to provide a controlled and predictable amount of decompression force. Multiple suction cups and the use of small size suction cups permits the compression pad and the suction cups to conform to complex 3-D surfaces and it also prevents loss of suction by the suction cups at areas of varying or uneven contour on the patient's chest such as occur in the area of the sternal notch.

Chest compression and decompression performed by mechanical chest compression device 10 may incorporate

5

compression orientation pad **40**. Compression orientation pad **40** may be configured to perform multiple functions and include additional elements such as ECG electrodes **41** as well as defibrillation pads **42** as well as any other suitable components. Compression orientation for chest compression device **10** is provided by compression target **43** which is secured to location **18** by a rescuer before initiation of mechanical chest compression/decompression. Compression orientation pad **40** is secured to the patient's chest using any suitable adhesive such as adhesive **45** forming a layer between pad **40** and chest **2**. Compression orientation pad **40** may be formed of one or more layers such as layer **46** which provides structural strength and distributes the compression/decompression forces to the entire area of compression target **43**. Sections of pad **40** such as compression target **43** may have additional layers such as top or upper layer **47** which includes a resilient and smooth, surface **47X** to optimize the formation of suction in the suction cups of the compression pad used, such as the device illustrated in FIG. 7. Mechanical chest compression device **50** includes compression pad **52** with three round suction cups **53** formed on distal end of the compression pad. Compression orientation pads may include compression targets sized and configured to accommodate various configurations of compression pads such as those illustrated in FIGS. 3, 4, 5, 7 and 8.

An alternate configuration of suction cups is illustrated in FIG. 8. Mechanical chest compression device **60** includes compression pad **62** with one or more irregularly shaped suction cups **63** and one or more circular suction cups **64** formed on distal end of the compression pad.

Compression pads with two or more suction cups may be readily combined with cooperating plunger adapters and compression pads as disclosed in our copending U.S. patent application Ser. No. 13/629,434 filed Sep. 27, 2012 which is incorporated herein by reference in its entirety.

To limit the application of excessive decompression force to the chest of a patient undergoing mechanical chest compressions, a separate plunger adapter and compression pad may be used. In FIGS. 9, 10, 11 and 12, plunger adapter **70** has a height or anterior posterior dimension **70D** and compression pad **71** has a height or anterior posterior dimension **71D**. Proximal end **70P** of plunger adapter **70** is removably secured to distal end **72D** of plunger **72** using any suitable technique such as mating threads, keyed slots, friction engagement such as socket **70S** engaging plunger distal end **72D** or any other technique. The height of a plunger adapter and the height of a compression pad may be individually selected to conform to the anterior posterior dimensions of a patient and the length and extension capability of a plunger and compression unit. Compression pad **71** includes extensions such as extension **73** sized to engage a comparably sized socket such as socket **74** in any suitable plunger adapter such as plunger adapter **70**. The inner surfaces, surface **74A** and surface **74B**, of a plunger adapter socket such as socket **74** may include an adhesive or coating such as adhesive layer **75** with a preselected level of adhesion to maintain a limited engagement between a plunger adapter, such as adapter **70**, and a compression pad such as compression pad **71**, to produce a preselected level of decompression during each retraction of the plunger while performing automated chest compressions to limit or eliminate damage to the patient. Adhesive layer **75** may also be applied to compression pad surfaces **73A** and or **73B**.

Compression pad **71** is a generally incompressible pad configured to adapt to the shape of the patient's chest. A compression pad such as compression pad **71** may be formed of one or more layers such as first layer **71A** and second layer **71B** to optimize the application of compressive force to the

6

patient. The proximal or upper end of the compression pad is a generally hard extension or socket such as extension layer **73** for engaging the plunger adapter. The first or central layer, layer **71A** may be a flexible and incompressible layer to conform to the shape of the patient's chest. The lower or distal end, second layer **71B**, of the compression pad is flexible to adapt to the shape of the patient's chest and may include one or more flexible cups, suction cups **76**, for creating one or more areas of vacuum between the compression pad and the patient's chest in suction cup volume **77**. When the rim or distal edge **76D** of the suction cups are pressed against the surface of the patient's chest, a sticker or other pad and the proximal ends of the suction cups are pressed during chest compression, the volume of the space, suction cup volume **77**, within the suction cup and the chest or sticker surface is reduced, which causes the fluid, air, between the cup and the chest to be expelled past the rims of the suction cups. When the chest compression unit ceases to apply compression force and begins the decompression phase of the mechanical CPR process, the material of the compression pad tends to resume its original shape. Because some or all of the air has already been forced out of suction cup volume **77**, the pressure in each of the suction cup spaces is lower than atmospheric pressure which enables the compression pad to exert some decompression force on the patient's chest. The pressure developed by a suction cup is a function of the area of the suction cup. Using multiple suction cups on a compression pad enables the pressure of each suction cup is kept low while the combined decompression force of all the suction cups of a compression pad is high enough to provide meaningful chest decompression. Using 10 or more suction cups enables balancing the suction force of multiple small suction cups against the total force for all the suction cups on a compression pad eliminates injury to a patient's chest that may occur with a single large suction cup.

Any suitable smooth sticker sheet or pad such as compression orientation pad **40** or sticker **78** may be removably adhered to a patient's chest to provide smooth surface **78A** to optimize the suction between each suction cup and the sticker sheet.

Suitable engagement mechanisms may be included in the plunger and the plunger adapter to provide a preselected level of chest expansion force in addition to chest compression force. A magnet may be provided in the distal end of the plunger and a corresponding magnet or ferrous material may be included in the proximal end of the plunger adapter to provide a preselected retention force between the plunger and the plunger adapter. The retention force is selected to provide some expansion force to the patient's chest between compressions without applying enough expansion force to the patient's chest to tear the patient's skin or underlying tissue. Similarly an electromagnet may be provided in distal end of the plunger to provide an adjustable level of retention force, or to provide timed release of the plunger adapter from the plunger.

As illustrated in FIGS. 13, 14, 15 and 16, plunger adapter **80** includes socket **81** that is sized and dimensioned to engage extension **82** of compression pad **83**. Compression pad **83** includes suction cups of varying sizes and configurations such as first suction cups **84**, second suction cups **85** and third suction cups **86**. The relative sizes, orientation and combinations of sizes and orientation of the suction cups is selected to optimize the compression force, the decompression force provided by the compression pad.

To generate a predetermined decompression force **87** during the retraction of plunger **88**, magnets such as adapter magnet **80M** and compression magnet **83M** may be included

in plunger adapter **80** and compression pad **83** to provide the predetermined retention force, such as force of attraction or magnetic force **89**, to hold compression pad **83** to plunger adapter **80** until the predetermined decompression force is exceeded. The predetermined level of decompression force is selected to be at a level below which, the chest tissue at force application location **19** will not be damaged before compression pad **83** releases from plunger adapter **80**. Any other suitable technique for providing a predetermined level of retention force **89** may be used such as electromagnetic attraction, frictional engagement or others. Any other suitable cooperative configurations of socket and extension may be used.

A compression pad such as compression pad **90** of FIGS. **17** and **18** may adapt any suitable complex shape such as shape **91** with multiple appendages, arms or lobes **92**. Distal end **90D** of compression pad **90** contain numerous suction cups **94**. The use of multiple lobes enables a compression pad with many suction cups to conform to the irregular and complex three-dimensional shapes of patient chest surfaces. Multiple lobes **92** are conformable and inelastic to convey the decompression force between mechanical chest compression device **95** and the anterior surface **2** of the patient's thorax **3**, or any sticker or pad adhered to the patient's chest such as compression orientation pad **40**. Arms or lobes **92** should be secured to the patient, no lower than the inferior margin of the ribcage and generally constrained to the skin superficial to the anterior surface of the ribcage.

Compression pad **100** of FIGS. **19** and **20** has an irregular shape **101** with five lobes **102**. Compression pad **100** includes rigid pad **103** on proximal end **100P** to apply compressive force to the patient's chest while flexible and inextensible lobes **102** optimize the application of decompression force to a patient. Distal end **100D** includes a multiple suction cups **94** of generally similar size and shape, evenly distributed over the distal end.

As illustrated in FIGS. **21** and **22**, compression pads may adopt any suitable shape with two or more lobes. Compression pad **106** of FIG. **21** includes five lobes with lobes **107A** and **107B** having a different size and shape from lobe **107C**, which is again different from lobes **107D** and **107E**. Depending on the length and flexibility of the lobes, compression pads may include a rigid pad **108** to transfer compression energy from plunger **109** to the patient.

Compression pad **110** of FIG. **22** includes three lobes and each lobe such as lobe **111** may have a different size and shape from lobe **112** which may also be different than lobe **113**. The lobes may be rotationally oriented or clocked in any suitable orientation **114** to optimize the compression and decompression forces applied to the patient.

While the preferred embodiments of the devices and methods have been described in reference to the environment in which they were developed, they are merely illustrative of the principles of the inventions. The elements of the various embodiments may be incorporated into each of the other species to obtain the benefits of those elements in combination with such other species, and the various beneficial features may be employed in embodiments alone or in combination with each other. Other embodiments and configurations may be devised without departing from the spirit of the inventions and the scope of the appended claims.

We claim:

1. An automated chest compression device comprising:

a mounting structure having two legs and a backplate;

a chest compression unit including a reversible electromotor within a housing and a plunger having a distal end and a proximal end, the proximal end of the plunger

operably coupled to the reversible electromotor, the distal end of the plunger extending from and withdrawing into the housing, the chest compression unit secured to the mounting structure to engage a patient and perform chest compressions;

a plunger adapter secured to the distal end of the plunger; a microprocessor to control the electromotor and the plunger;

a compression pad with a distal end and a proximal end, the proximal end engaging the plunger adapter and the distal end having two or more suction cups formed therein; and wherein the plunger adapter and the compression pad include complimentary concave and convex elements to removably engage the plunger adapter with the compression pad.

2. An automated chest compression device comprising:

a mounting structure having two legs and a backplate;

a chest compression unit including a reversible electromotor within a housing and a plunger having a distal end and a proximal end, the proximal end of the plunger operably coupled to the reversible electromotor, the distal end of the plunger extending from and withdrawing into the housing, the chest compression unit secured to the mounting structure to engage a patient and perform chest compressions;

a generally cylindrical plunger adapter with a proximal end and a distal end, the proximal end removably engaging the distal end of the plunger, the distal end of the adapter having a frustoconical socket for engaging the compression pad;

a microprocessor to control the electromotor and the plunger; and

a compression pad with a distal end and a proximal end, the proximal end further comprises a frustoconical extension for removably engaging the frustoconical socket of the plunger adapter and the distal end having two or more suction cups formed therein.

3. An automated chest compression device comprising:

a mounting structure having two legs and a backplate;

a chest compression unit including a reversible electromotor within a housing and a plunger having a distal end and a proximal end, the proximal end of the plunger operably coupled to the reversible electromotor, the distal end of the plunger extending from and withdrawing into the housing, the chest compression unit secured to the mounting structure to engage a patient and perform chest compressions;

a generally cylindrical plunger adapter with a proximal end and a distal end, the proximal end removably engaging the distal end of the plunger, the distal end of the adapter for engaging the compression pad;

a microprocessor to control the electromotor and the plunger; and

a compression pad with a distal end and a proximal end, the proximal end comprising a frustoconical extension for removably engaging the distal end of the plunger adapter and the distal end having two or more suction cups formed therein.

4. An automated chest compression device comprising:

a mounting structure having two legs and a backplate;

a chest compression unit including a reversible electromotor within a housing and a plunger having a distal end and a proximal end, the proximal end of the plunger operably coupled to the reversible electromotor, the distal end of the plunger extending from and withdrawing

into the housing, the chest compression unit secured to
the mounting structure to engage a patient and perform
chest compressions;
a plunger adapter secured to the distal end of the plunger;
a microprocessor to control the electromotor and the 5
plunger;
a compression pad with a distal end and a proximal end, the
proximal end engaging the plunger adapter and the distal
end having two or more suction cups formed therein; and
wherein the plunger adapter and the compression pad fur- 10
ther comprise an adhesive layer for generating a prede-
termined retention force between the plunger adapter
and the compression pad.

* * * * *