



US00D829726S

(12) **United States Design Patent**  
**Zahn**

(10) **Patent No.:** **US D829,726 S**

(45) **Date of Patent:** **\*\* Oct. 2, 2018**

- (54) **KEYBOARD**
- (71) Applicant: **DESKO GmbH**, Bayreuth (DE)
- (72) Inventor: **Werner Zahn**, Bayreuth (DE)
- (73) Assignee: **DESKO GmbH**, Bayreuth (DE)
- (\*\*) Term: **15 Years**
- (21) Appl. No.: **29/563,833**
- (22) Filed: **May 9, 2016**

(30) **Foreign Application Priority Data**

Dec. 4, 2015 (EM) ..... 002890392

(51) **LOC (11) Cl.** ..... **14-02**

(52) **U.S. Cl.**  
USPC ..... **D14/455**

(58) **Field of Classification Search**  
USPC ..... D14/240, 138, 318, 341, 391-399, 443,  
D14/455, 456, 315, 434; D18/1, 2, 7;  
400/484-489

CPC ..... G06F 1/16; G06F 1/1616; G06F 1/162;  
G06F 1/1601; G06F 1/1626; G06F  
3/0202; G06F 1/1632; G06F 1/1654;  
G09B 13/04

See application file for complete search history.

(56) **References Cited**

**U.S. PATENT DOCUMENTS**

- D281,608 S \* 12/1985 Bertone ..... D14/455
- D325,200 S \* 4/1992 Riley ..... D14/396
- D373,575 S \* 9/1996 Fornes ..... D14/396

- D410,454 S \* 6/1999 Chen ..... D14/398
- D449,613 S \* 10/2001 Matsuoka ..... D14/396
- D457,889 S \* 5/2002 Baker ..... D14/455
- D484,511 S \* 12/2003 Registre ..... D14/396
- D503,711 S \* 4/2005 Fukami ..... D14/396
- D526,319 S \* 8/2006 Ohno ..... D14/391
- D678,276 S \* 3/2013 Park ..... D14/391
- D684,576 S \* 6/2013 Lee ..... D14/392
- D697,470 S \* 1/2014 Raeber ..... D13/102
- D718,766 S \* 12/2014 Tsuda ..... D14/396
- D719,573 S \* 12/2014 Schake ..... D14/392
- D780,756 S \* 3/2017 Crisp ..... D14/391
- D780,757 S \* 3/2017 Crisp ..... D14/391

\* cited by examiner

*Primary Examiner* — Susan Bennett Hattan

*Assistant Examiner* — Harold E Blackwell, II

(74) *Attorney, Agent, or Firm* — K. David Crockett, Esq.;  
Niky Economy Syrengelas, Esq.; Crockett & Crockett, PC

(57) **CLAIM**

The ornamental design for a keyboard, as shown and described.

**DESCRIPTION**

FIG. 1 is a perspective view of a keyboard showing my new design;

FIG. 2 is a top view of FIG. 1;

FIG. 3 is a bottom view of FIG. 1;

FIG. 4 is a left side view of FIG. 1;

FIG. 5 is a right side view of FIG. 1;

FIG. 6 is a back view of FIG. 1; and,

FIG. 7 is a front view of FIG. 1.

The broken lines depict portions of the keyboard which form no part of the claimed design.

**1 Claim, 5 Drawing Sheets**

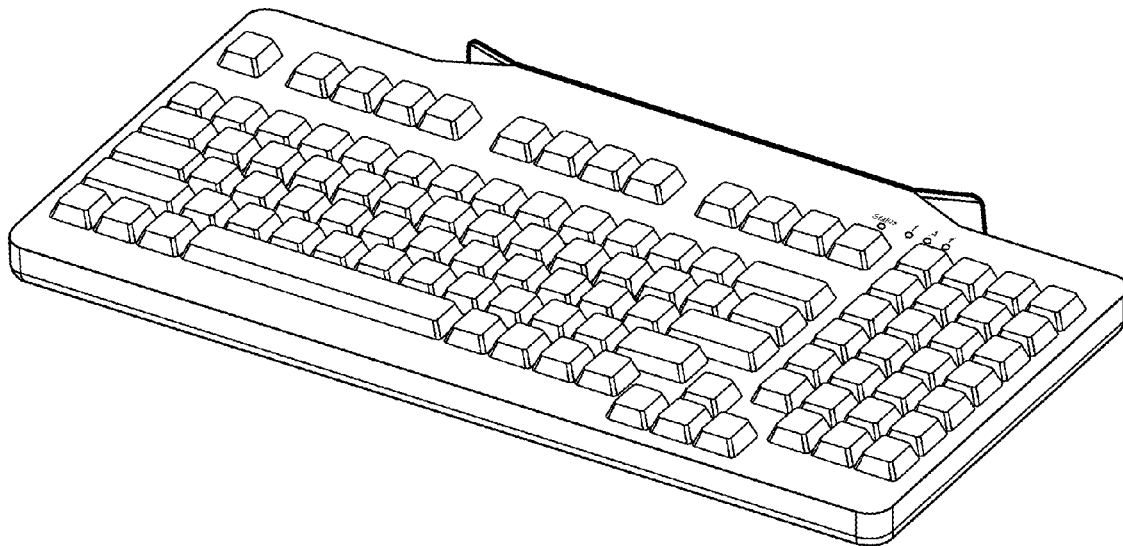


Fig. 1

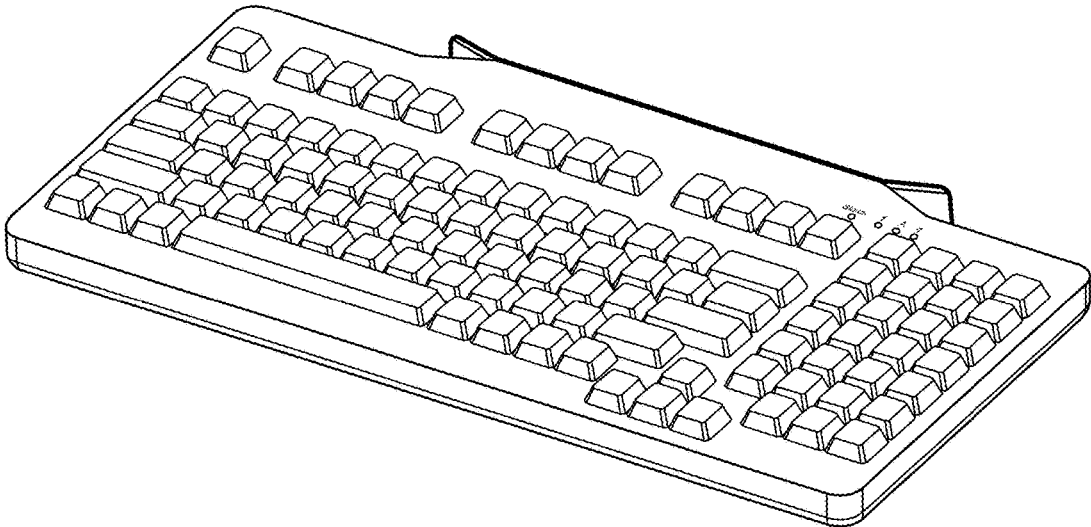


Fig. 2

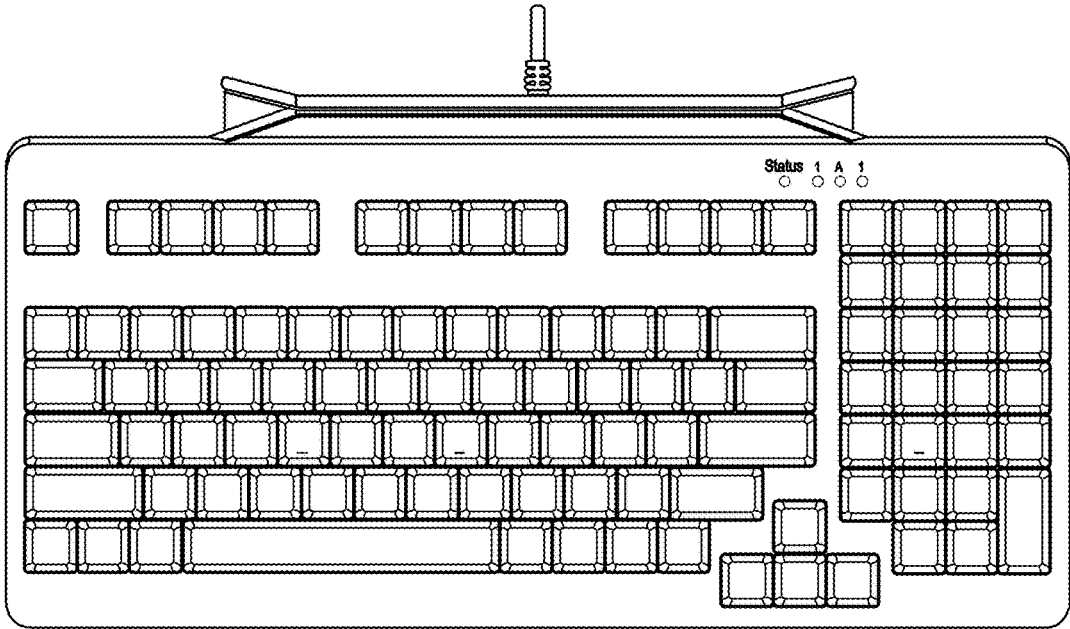


Fig. 3

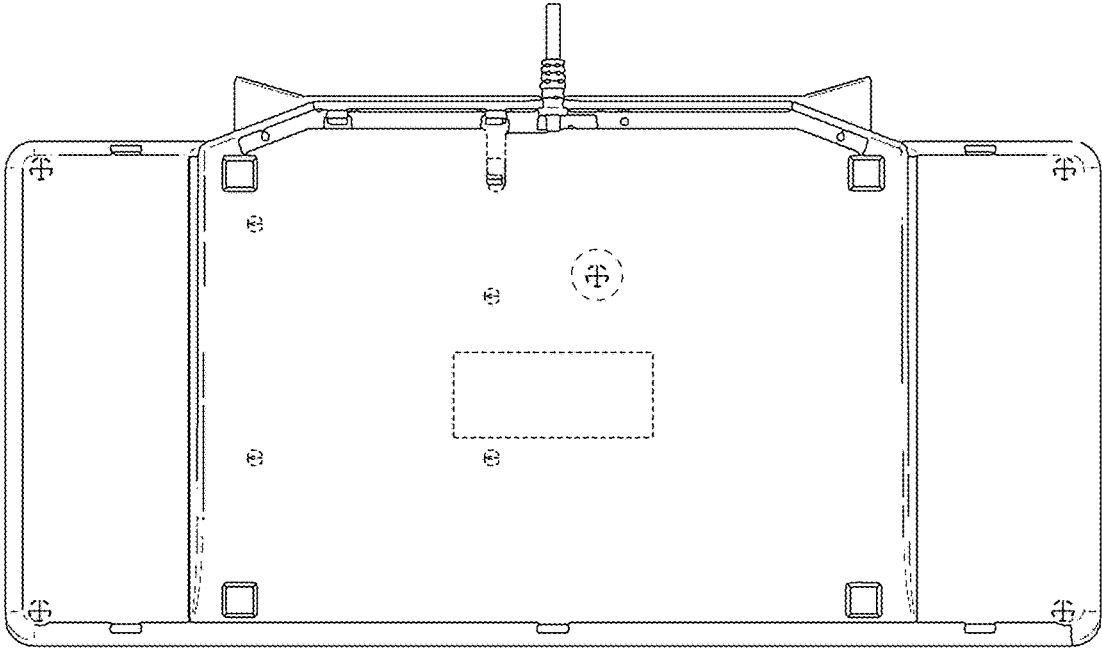


Fig. 4

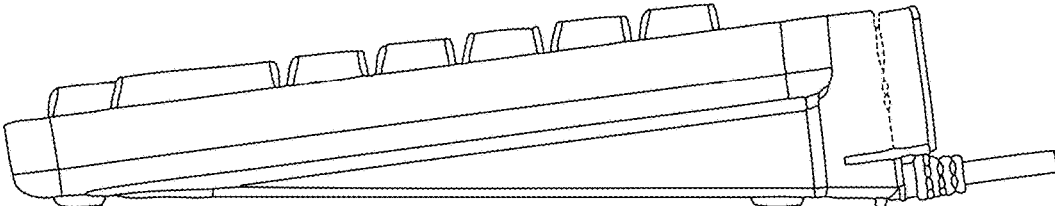


Fig. 5

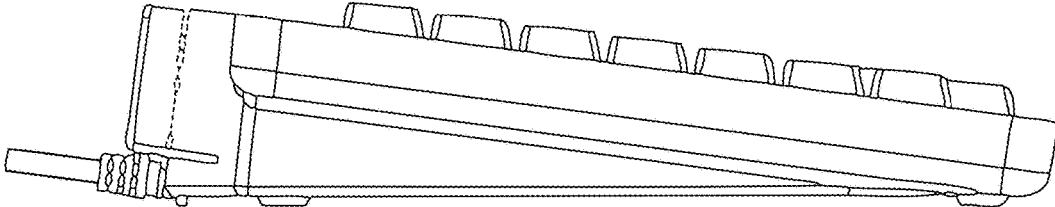


Fig. 6



Fig. 7

